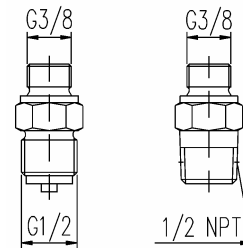
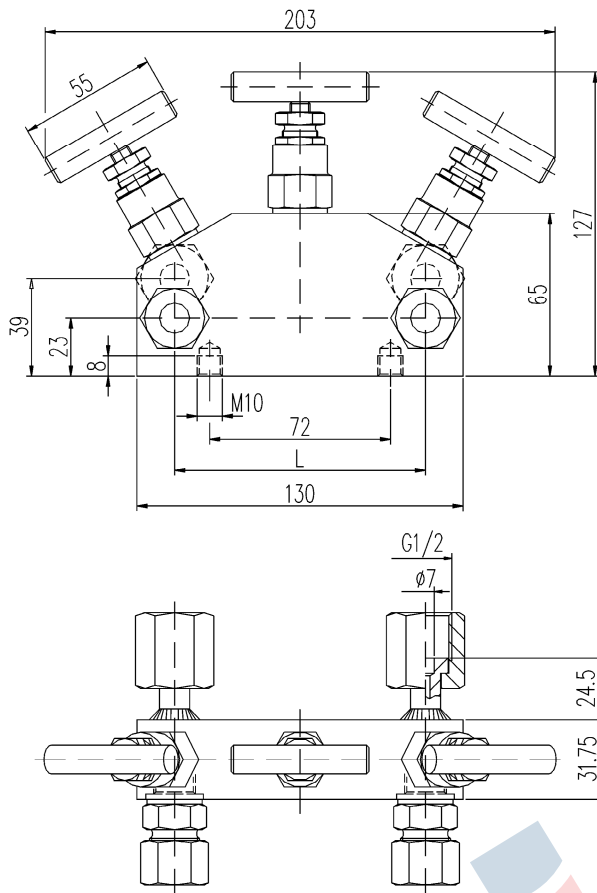
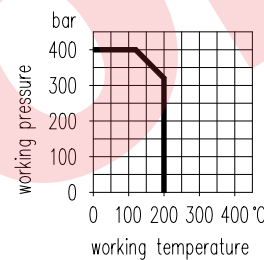
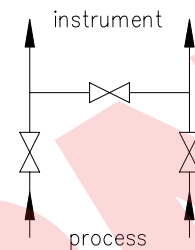


## 3 valve manifold PN 400 DN 4 for differential pressure gauges



male connectors <sup>3)</sup>



Material	Distance L [mm]	Connections		Part no.
		Inlet	Outlet	
steel st. stl.	37	tube fitting O. D. 12 mm line S, G 3/8	swivel nut G 1/2	TF12-V02-3-SC-51-L37 TF12-V02-3-SS-51-L37
steel st. stl.	54			TF12-V02-3-SC-51-L54 TF12-V02-3-SS-51-L54
steel st. stl.	100			TF12-V02-3-SC-51-L100 TF12-V02-3-SS-51-L100
st. stl.	37	Fixed thread 1/2 NPT male	Turning nipple G 1/4 male	04-V02-3-SS-13-L37
st. stl.			swivel nut G 1/2	04-V02-3-SS-51-L37

Components	Steel	Stainless steel <sup>1)</sup>
	DIN-Material Number	
Body <sup>2)</sup>	1.0460	316L (1.4404)
Bonnet	316 (1.4401)	
Valve stem	316L (1.4404)	
Needle tip	1.4122 v.	316Ti (1.4571)
Packing	PTFE	
Gland nut	1.0501	304 (1.4301)
T-handle	stainless steel	

- Surface: steel phosphatized
- External stem thread
- Stem with cold rolled surface, back seat and non-rotating needle tip.
- Special types are available

<sup>1)</sup> Can also be supplied for oxygen service.

Please notice order instruction B 3!

<sup>2)</sup> Available with inspection certificate 3.1.B acc. to EN 10 204

<sup>3)</sup> The manifolds can be supplied with male connectors G 1/2 or 1/2 NPT instead of tube fittings on the inlet ports.

<sup>4)</sup> 1.4122 quenched and tempered