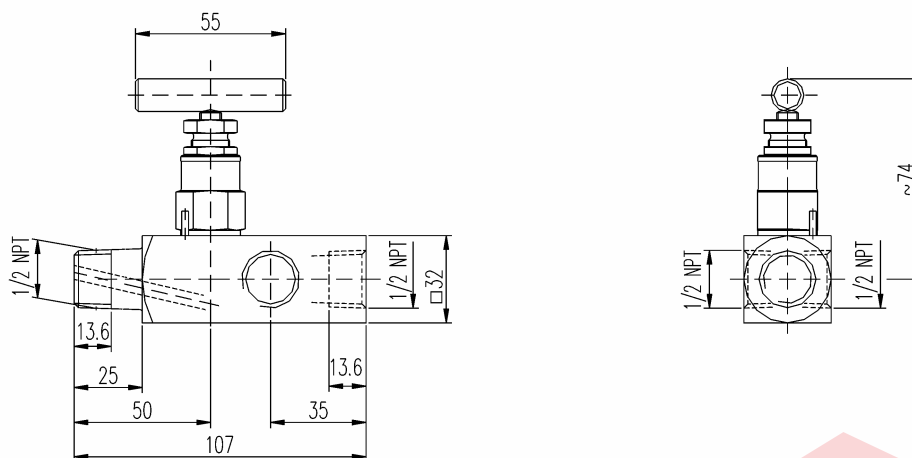
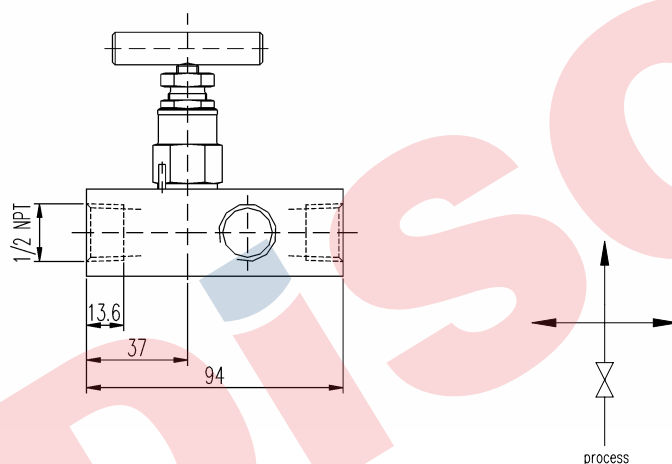


Multiport valve PN 420 DN 5

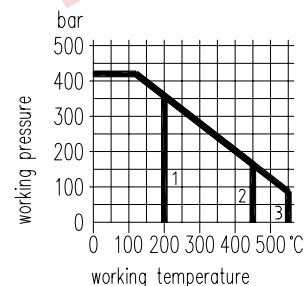
Type 1



Type 2



- 1 PTFE packing
- 2 graphite packing - 1.0460
- 3 graphite packing - 1.4404



MOUNTING ACCESSORIES see section 8

Type	Material	Connections		Part no.
		Inlet	3 Outlets	
1	steel st. stl.	1/2 NPT male	1/2 NPT female	04-V02-M-SC-50-PN420 04-V02-M-SS-50-PN420
2	steel st. stl.	1/2 NPT female		50-V02-M-SC-50-PN420 50-V02-M-SS-50-PN420

Components	Steel	Stainless steel ¹⁾
	DIN-Material Number	
Body ²⁾	1.0460	316L (1.4404)
Bonnet	316 (1.4401)	
Valve stem	316L (1.4404)	
Needle tip ³⁾	1.4122 ⁴⁾	316Ti (1.4571)
Packing	PTFE up to 200 °C (graphite up to 550 °C)	
Gland nut	1.0501	304 (1.4301)
T-handle	stainless steel	

- Surface: steel phosphatized
 - Working pressure up to 700 bar (10.000 psi) on request
 - External stem thread
 - Stem with cold rolled surface, back seat and non-rotating needle tip
 - Types with 1/4 NPT thread on request
 - The valves can be supplied according to NACE-standard
- On request:
- Anti-tamper facility
 - Panel mounting
 - Extended body on male inlet port
 - Padlocking facility

¹⁾ Can also be supplied for oxygen service.
Please notice order instruction B 3!

²⁾ Available with inspection certificate 3.1.B acc. to EN 10 204

³⁾ Also available with soft tip in KEL-F® (PCTFE) or Delrin® (POM)

⁴⁾ 1.4122 quenched and tempered

All specifications are subject to change without notice.