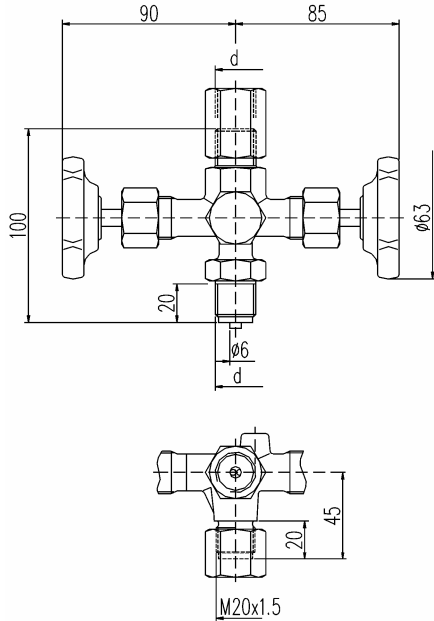
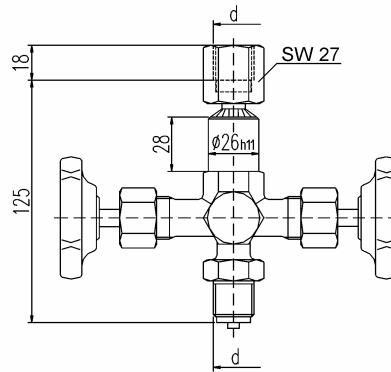


Double pressure gauge valve DIN 16 272

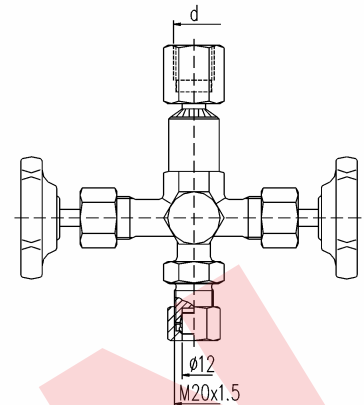
Design A
with adjusting nut
DIN 16 283



Design B
with swivel nut and shaft for
pressure gauge support



Design B-AS12



tube fitting O. D. 12 mm line S

Please note: Pressure gauge valves with thread 1/2 NPT see catalogue page 9.27

MOUNTING ACCESSORIES see section 10

PN ³⁾	Connection thread d	Material	Part no.		
			Design A	Design B	Design B-AS12
250 400 400	G 1/2	brass	15-V02-2A-MS-51-250	15-V02-2B-MS-51-250	15-V02-2BA-MS-51-250
400		steel	15-V02-2A-SC-51-400	15-V02-2B-SC-51-400	15-V02-2BA-SC-51-400
400		st. stl.	15-V02-2A-SS-51-400	15-V02-2B-SS-51-400	15-V02-2BA-SS-51-400
250 400 400	M20x1,5	brass	16-V02-2A-MS-88-250	-	-
400		steel	16-V02-2A-SC-88-400	-	-
400		st. stl.	16-V02-2A-SS-88-400	-	-

Components	Brass ¹⁾	Steel	Stainless steel ¹⁾
	DIN-Material Number		
Body ²⁾	brass	1.0460	316Ti (1.4571)
Valve stem	1.4104		316Ti (1.4571)
Needle tip	1.4104		316Ti (1.4571)
Packing	PTFE up to 200 °C (graphite up to 250 °C)		
Union nut	steel		stainless steel
Adjusting nut	steel		stainless steel
Swivel nut	brass	steel	stainless steel
Hand wheel	plastic		

Abbreviation acc. to DIN	Material	Temperature rating
10 Ms	brass	-10 to +120 °C
10 St	steel	-10 to +120 °C
20 St	stainless steel	-20 to +200/250 °C

- **Body:** brass: pressed part
steel/stainless steel: die-pressed part
- **Surface:** steel phosphatized
- Internal stem thread
- Stem with cold rolled surface and non-rotating needle tip

¹⁾ Can also be supplied for oxygen service.

Please notice order instruction B 3!

²⁾ Available with inspection certificate 3.1.B acc. to EN 10 204

³⁾ Valves with PN 640 on request