

Industrial and general service gauges

Model 1009

According ASME B40.1
 Nominal size 4 1/2 and 6 inch
 Accuracy: Grade 1A (1 %)

Features

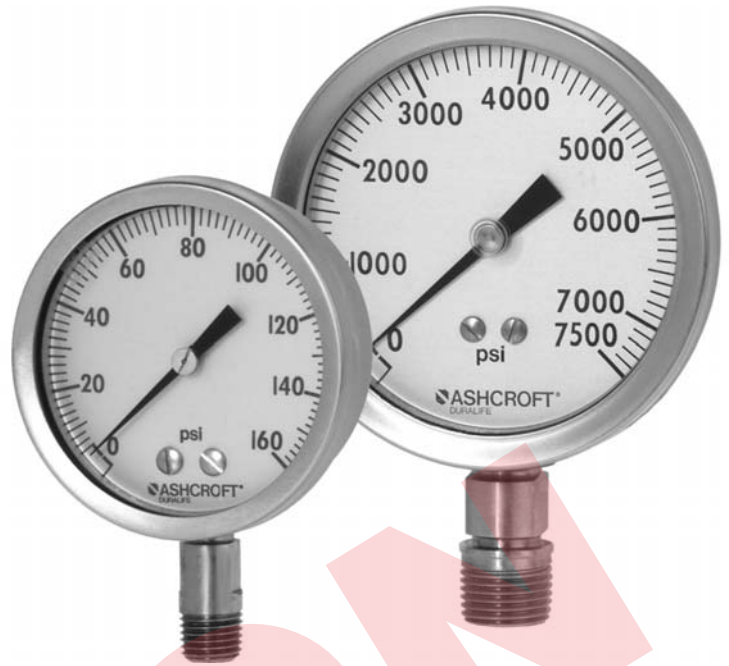
- Rugged construction
- Protection IP54 or IP65
- Overload protection 130 %
- Dry, liquid filled or liquid less (*PLUS!* gauge)
- Measuring system stainless steel or Monel

Ranges

-1 ... 0 bar up to 0 ... 1600 bar
 -30 in. Hg ... 0 psi up to 0 ... 30.000 psi

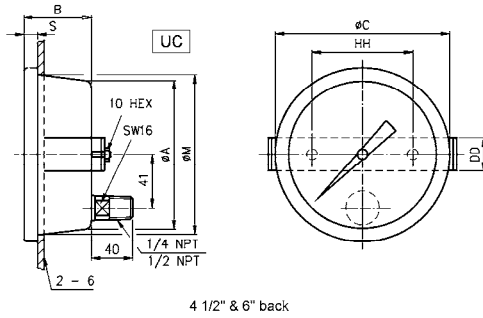
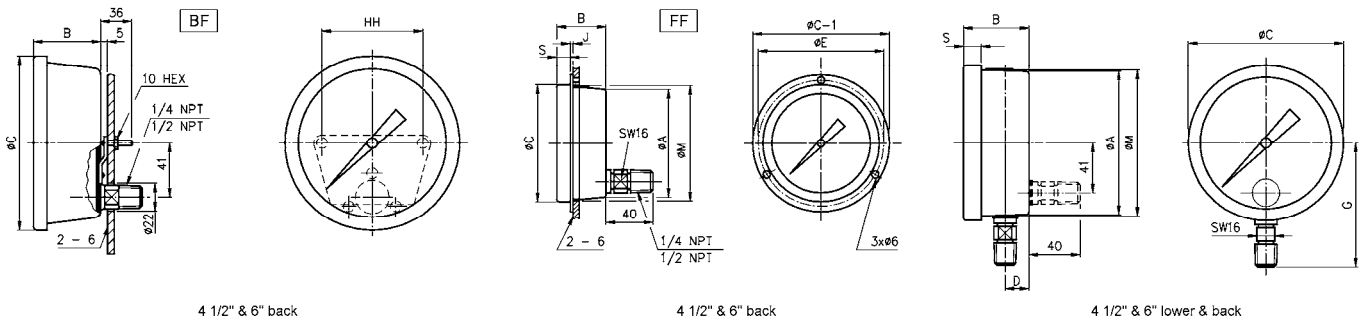
Applications

Chemical and petrochemical industry
 Machine and apparatus construction
 Food and beverage industry
 Pulp and paper industry



Technical specification	1009	
Dial size in inch	4 1/2	6
Construction	Open front with bayonet ring	
Measuring principle	Bourdon tube	
Range in bar	1 1,6 2,5 4 6 10 16 25 40 60 100 160 250 400 600 1000 1600	
Overpressure limit	-1/0 -1/0,6 -1/1,5 -1/3 -1/5 -1/9	
Pressure type	130 % F.S., short time Gauge, vacuum and compound	
Process connection	1/4 NPT male, 1/2 NPT male according ANSI/ASME B1.20.1 G 1/4 B male, G 1/2 B male, R 1/2 male tapered (DIN 2999) (metric connection not for brass socket) 9/16-18 UNF-2B Aminco, others on request	
Connection location	Lower, back	
Material	Pressure connection: Brass, stainless steel 316 (1.4401) or Monel Tube: Bronze, stainless steel 316 (1.4401) or Monel (Monel not for dial size 6") Case/ring: Stainless steel 304 (1.4301) polished Window: Instrument glass, optional laminated safety glass or acrylic glass Dial: Aluminum, black markings on white background Pointer: Aluminum, black, micrometer adjustment, red set hand, minimum or maximum pointer on request Movement: Stainless steel 400 series	
Accuracy	Grade 1A (1 % F.S.), 0,5 % with option DX (former type 1320)	
Permissible	Ambient temperature: -25 ... 60 °C, liquid filled -45 ... 120 °C Medium temperature: Max. 120 °C Storage temperature: -40 ... 65 °C Effect: Max. 0,3 % / 10 K	
Protection according EN 60 529/IEC 529	IP54 (dry), IP65 (liquid filled), optional IP65 for dry gauges	
Filling liquids	Glycerin, silicone, halocarbon, others on request Optional dampened movement (liquid less gauge), functions as liquid filled gauge (<i>PLUS!</i> gauge)	
Mounting	Standard stem, optional flush or surface	
Weight dry/filled in kg	0,8/1,2	1,0/1,6
Accessories, options	Diaphragm seals, valves, NACE	

General dimensions in mm



Die.	A	B	C	C-1	D	DD	E	G	HH	J	M	S
4 1/2"	120	52	129	159	24	25	144.5	100	76	15	123	12
6"	160	52	169	194	24	25	179	122	114	17	163	12

Rev. D

Order information

Size	System material	Execution	Process connection	Connection orientation	Range	Engineering units	Filling	Options
(45) 4 1/2" (115 mm)	(A) Bronze tube, brass socket (max. 60 bar)	(E) Standard IP54	(04) 1/2 NPT male ¹⁾	(L) Lower	-1/ 0	(BAR)	(E) Standard no filling	(NH) Tagging wired
			(02) 1/4 NPT male ¹⁾	(B) Back	-1/ 1,5			
(60) 6" (150 mm)	(S) 316 (1.4401) (max. 1400 bar)	(L) Liquid filled IP65	(09) 9/16-18 UNF-2B Aminco		-1/ 3		(GV) Silicone	(TX) Throttle screw stainless steel (not for process connection 09)
			(13) G 1/4 B male ¹⁾²⁾		-1/ 5			
	(P) Monel (only dial size 4 1/2")		(15) G 1/2 B male ¹⁾²⁾		-1/ 9		(GR) Glycerin	(6B) Oxygen cleaned (not for brass connection)
		(KQ) R1/2 male tapered DIN 2999 ¹⁾²⁾		0/ 1	(GX) Halo-carbon	(PD) Acrylic glass		
							0/ 1,6	
					0/ 2,5		(EP) Maximum pointer, adjustable	(FF) Front flange
					0/ 4			
					0/ 6		(LJ) Field fillable (only for execution "=", IP65)	(LL) Liquid less gauges (Halocarbon filling not allowed)
					0/ 10			
					0/ 16			
					0/ 25			
					0/ 40			
					0/ 60			
					0/ 100			
					0/ 160			
					0/ 250			
					0/ 400			
					0/ 600			
					0/1000			
					0/1600			

¹⁾ max. 1000 bar
²⁾ not for brass connection

psi and others on request

Order example

Size	Type	System material	Execution	Process connection	Connection orientation	Range	Engineering unit	Filling	Options
45	1009	S	L	02	L	0/16	BAR	GR	NH

Ashcroft Instruments GmbH

Germany
Max-Planck-Str. 1, D-52499 Baesweiler
P.O. Box 11 20, D-52490 Baesweiler
Tel.: +49 (0) 2401 808-0, Fax: +49 (0) 2401 808-125

France
„206“ ZA du Mandinet, 1/3 Rue des Campanules
F-77185 Lognes
Tel.: +33 (0) 1 60 37 25 30, Fax: +33 (0) 1 60 37 25 39

Website: www.ashcroft.eu

e-Mail: sales@ashcroft.com

United Kingdom

Unit 5 William James House
Cowley Road, Cambridge CB4 0WX
Tel.: +44 (0) 12 23 39 55 00, Fax: +44 (0) 12 23 39 55 01