

## Test Gauges, Solid Front Model 1082

According ASME B40.1

Nominal size: 4 1/2, 6 and 8 1/2 inch

Accuracy: Grade 3A (0,25 %)

### Features

- Solid front case
- Automatic ambient temperature compensation
- Protection IP54
- Usable to full scale
- Overload protection 130 %
- Measuring system brass or Monel
- External zero adjustment (standard version)

### Ranges

-1 ... 0 bar up to 0 ... 700 bar

-30 in. Hg ... 0 psi up to 0 ... 10.000 psi

### Applications

Test benches

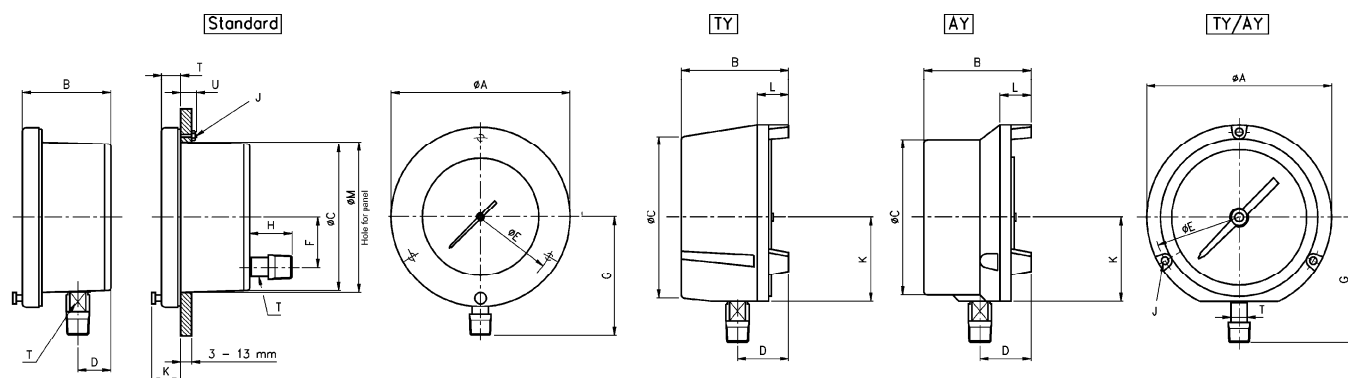
Calibration laboratories

Maintenance repair shops



Technical specification	1082															
	Standard			TY	AY											
Case type																
Dial size [inch]	4 1/2	6	8 1/2	4 1/2	4 1/2		6									
Construction housing	Solid front safety pattern with blow out at the back															
ring	Hinged			Threaded												
Zero adjustment	At the front, adjustable dial															
Measuring principle	Bourdon tube															
Range [bar]	1	1,6	2,5	4	6	10	16	25	40	60	100	160	250	400	600	700
Overpressure limit	130 % F.S., short time															
Pressure type	Gauge, vacuum and compound															
Process connection	1/4 NPT male (standard), 1/2 NPT male according ANSI/ASME B1.20.1 9/16-18 UNF-2B Aminco G 1/4 B male, G 1/2 B male, M20x1,5 male, metric connections with adapter Others on request															
Connection location	Lower, back			Lower		Lower										
Material	Brass (max. 25 bar) and Monel															
Pressure connection	Phosphor bronze (max. 25 bar) and Monel															
Tube	Aluminum <sup>1)</sup>			Phenolic		Aluminum <sup>1)</sup>										
Case	Steel enamel coated			Polypropylene												
Ring	<sup>1)</sup> Black epoxy coated															
Window	Instrument glass, optional laminated safety glass or acrylic															
Dial	Aluminum, black markings on white background, with polished mirror band															
Pointer	Aluminum, black, red painted knife edge															
Movement	Stainless steel 400 series, bimetallic temperature compensated, with micro-span adjustment and under-load/overload stops															
Accuracy	Grade 3A (0,25 % F.S.)															
Permissible	Automatic compensated															
Ambient temperature	-25 ... 60 °C															
Medium temperature	Max. 100 °C															
Storage temperature	-40 ... 65 °C															
Effect																
Protection according EN 60 529/IEC 529	IP54															
Filling liquids	Filling not available															
Mounting	Stem, optional flush			Stem, surface, flush with 1278M ring		Stem, surface										
Weight [kg]	1,1	1,4	2	1,1		1,1	1,4									
Accessories, options	Valves															

## General dimensions [mm]



Type	Dial	A	B	C	D	E	F	G	H		J	K	L	M	T	U
									Max	Min						
Standard	4 1/2"	155				137		100			#10-24			124		
	6"	192	73	121	30	178	41	114	35	1/4-20	34	-	165	16	19	
	8 1/2"	257				244		152		1/4-20			229			
TY	4 1/2"	148	86	129	-	137		94			6	67	24	-	16	-
	6"	148	87	124	41	137	-	94			6	67	27	-	16	-
AY	4 1/2"	148	87	124	41	137	-	94			6	67	27	-	16	-
	6"	194	89	162	41	178		113			6	67	27	-	16	-

Rev. F

## Order information

Size	System material	Execution	Process connection	Connection orientation	Range	Engineering units	Case type	Options
(45) 4 1/2 inch (115 mm)	(A) Brass socket, phosphor bronze tube (max. 25 bar)	(S) Solid front IP54	(04) 1/2 NPT male	(L) Lower	-1/ 0	(BAR)	(=) Standard no filling	(NH) Tagging wired
			(02) 1/4 NPT male <sup>1)</sup>	(B) Back <sup>1)</sup>	-1/ 1,5			
			(09) 9/16-18 UNF-2B Aminco		-1/ 3			
(60) 6 inch (150 mm) <sup>1)</sup>	(P) Monel 400 socket, K-Monel tube		(13) G 1/4 B male <sup>2)</sup>		-1/ 5	(AY) Aluminum threaded polypropylene ring (only 4 1/2" and 6" dial with lower connection)	(6B) Oxygen cleaned	(PD) Acrylic glass
(15) G 1/2 B male <sup>2)</sup>				-1/ 9	(SG) Safety glass			
				0/ 1				
(85) 8 1/2 inch (215 mm) <sup>2)</sup>						0/ 1,6	(TY) Phenolic threaded polypropylene ring (only 4 1/2" dial with lower connection)	(1278M) Flush mounted ring for 4 1/2" and 6" case type TY and AY
					0/ 2,5			
					0/ 4			
					0/ 6			
					0/ 10			
					0/ 16			
					0/ 25			
					0/ 40			
					0/ 60			
					0/100			
					0/160			
					0/250			
					0/400			
					0/600			
					0/700			
<sup>1)</sup> not for case type TY			<sup>1)</sup> standard connection	<sup>1)</sup> not for case type AY and TY				
<sup>2)</sup> only for standard			<sup>1)</sup> with adapter					

## How to order

Size	Type	System material	Execution	Process connection	Connection orientation	Range	Engineering unit	Case type	Option
45	1082	P	S	02	L	0/16	BAR	=	NH

## Ashcroft Instruments GmbH

Germany  
Max-Planck-Str. 1, D-52499 Baesweiler  
P.O. Box 11 20, D-52490 Baesweiler  
Tel.: +49 (0) 2401 808-0, Fax: +49 (0) 2401 808-125

France  
„206“ ZA Le Mandinet Rue des Campanules  
F-77185 Lognes  
Tel.: +33 (0) 1 60 37 25 30, Fax: +33 (0) 1 60 37 25 39

Website: [www.ashcrofteurope.com](http://www.ashcrofteurope.com) e-Mail: [sales@ashcrofteurope.com](mailto:sales@ashcrofteurope.com)

United Kingdom  
Unit 5 William James House  
Cowley Road, Cambridge CB4 0WX  
Tel.: +44 (0) 12 23 39 55 00, Fax: +44 (0) 12 23 39 55 01