

Differential pressure gauge

Model 1130/1131/1132/1133

Max. static pressure 400 bar

Nominal size 50, 63, 80, 100, 115 and 150 mm

Accuracy: 2 %

Features

- Stainless steel case and several wetted parts
- Static pressure up to 400 bar
- Protection IP65
- Smooth pointer motion
- Dry or liquid filled
- Magnetic coupling, solid front not required

Ranges

0 ... 2,5 mbar up to 0 ... 10 bar

Applications

Chemical and petrochemical industry

Machine and apparatus construction

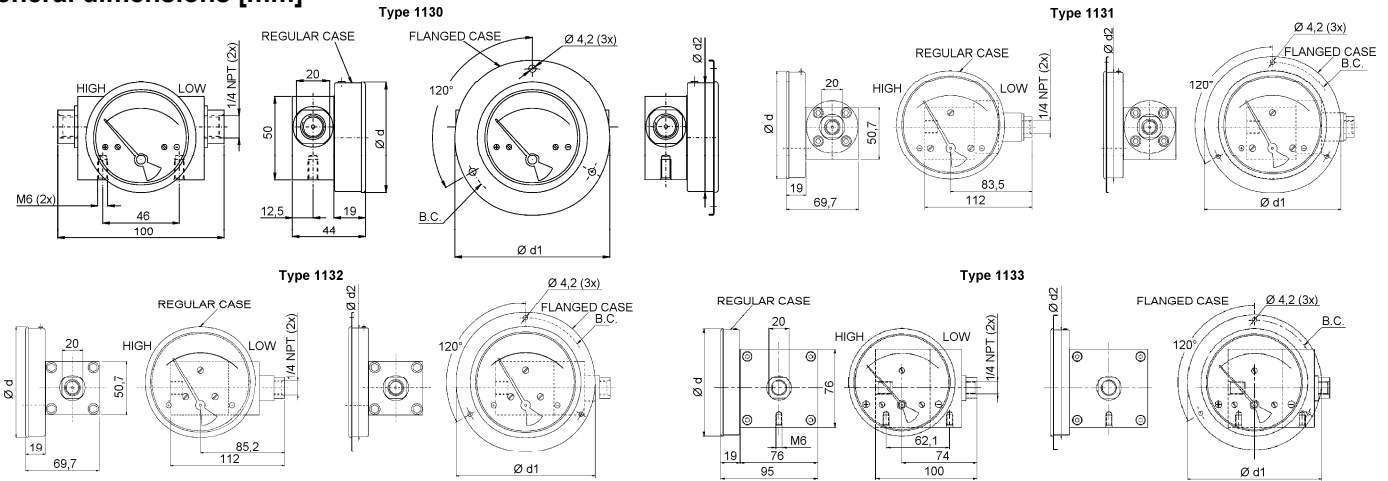
Filters, Hydraulic systems

Water treatment



Technical specification	1130	1131	1132	1133
Dial size [mm]	50, 63, 80, 100, 115 and 150 (depending on the type)			
Construction	Cylindrical case			
Measuring principle	Magnetic coupling, solid front not required			
Actuator	Piston	Rolling diaphragm	Convuluted diaphragm	
Process fluid migration	Minimal	No		
Range [mm H ₂ O]				25 50 125 250 600 1000
[mbar]	250 500	250	75 250	
[bar]	0,250,5 0,75 1 1,6 3,5 4 5 6 7	0,250,50,75 1 2 2,5 4 7	0,250,50,75 1 1,6 2 2,5 3 4	
Max. static pressure [bar]	200 or 400 (stainless steel body)	200	100	35
Overload capability	Maximum static pressure is also maximum pressure allowed on one side	Max. pressure only on the high pressure side.	Max. static pressure is max. pressure allowed on one side	
Pressure type	Differential			
Process connection	G 1/4 B female, 1/4 NPT female, others on request			
Connection location	Lower, back, in-line	Lower, back, in-line		
Material	Wetted parts Body, pressure chamber, piston Spring and screws Magnet O-Ring/Diaphragm (if used) Case/bayonet ring Window Dial Pointer			
	Body material, spring, screw, magnet and diaphragm (if used) Aluminum, brass ¹⁾ or stainless steel 316 (1.4401) 304 (1.4301)		¹⁾ not for type 1133	
	Ceramic PTFE/Buna-N, Viton or EPDM 304 (1.4301), optional 316L (1.4404) Instrument glass, optional acrylic or toughened glass Aluminum, black markings on white background Aluminum, black, optional red set hand or maximum pointer			
Accuracy calibrated ascending	2 %			
Permissible				
Ambient temperature	0 ... 80 °C			
Medium temperature	Max. 80 °C			
Storage temperature	0 ... 60 °C			
Effect	Max. 0,3 % / 10 K			
Protection according EN 60 529/IEC 529	IP65			
Filling liquids	Glycerin, Silicon on request, (not for type 1133)			
Mounting	Direct, optional panel or 2" pipe mounting (only for inline connections), others on request			
Weight dry/filled [kg]	From 0,3 up to 1 depending on the construction			
Accessories, options	3 or 5 way remote mounted manifolds, valves			
Contacts (reed switches) optional	One or 2 SPST (rating 10 VA AC or DC, 100 VAC or DC, 0,5 A AC or DC) One or 2 SPDT (rating 3 VA AC or DC, 30 VAC or DC, 0,3 A AC or DC) Ex-proof versions on request			

General dimensions [mm]



DIAL Ø	d	d1	d2	B.C.
50 [2"]	53	79	52	69
63 [2.5"]	66	93	65	83
80 [3.5"]	83	109	82	99
100 [4"]	104	131	102	121
115 [4.5"]	120	146	117	136
150 [6"]	154	181	152,5	171

Panel cut out = d + 1 mm

Rev. E

Drawings of gauges with contacts on request!

Order information

Size	Type	System material	Execution	Process connection	Connection orientation	Range	Engineering units	Filling/case/contacts	Options
(20) 2" ¹⁾ (50 mm)	1130	(S) Body 316 (1.4401)	(D) IP65 standard case	(27) G ¼ female ¹⁾	(S) In-line	0/ 75 ¹⁾ 0/ 250 0/ 500 ³⁾	MBAR	(=) Standard no filling, no contact	(NH) Tagging wired
	1131								
(25) 2 ½" ²⁾ (63 mm)	1132	(A) Body Brass (not for type 1133)	(L) Liquid filled IP65 (standard Glycerin, not for type 1133)	(02) ¼ NPT male ¹⁾	(B) Back ¹⁾	0/ 0,25 ²⁾ 0/ 0,5 0/ 0,75 0/ 1 0/ 1,6 ⁴⁾ 0/ 2 0/ 2,5 0/ 3 ⁴⁾ 0/ 3,5 ³⁾ 0/ 4 0/ 5 ³⁾ 0/ 6 ³⁾ 0/ 7 ²⁾ 0/ 9 ³⁾ 0/ 10 ³⁾	BAR	(GV) Silicone not for type 1133	(DA) Dial marking
		(F) Body Aluminum							
(35) 3 ½" (80 mm)	1133			(13) G ¼ B male ¹⁾				(V1) 1 SPST with DIN plug	(FF) Front flange
(40) 4" ³⁾ (100 mm)									
(45) 4 ½" (115 mm)				(RQ) 1/8 NPT female ¹⁾				(V2) 1 SPST with terminals strip	(EM) EPDM O-Rings/ diaphragm (not for type 1133)
(60) 6" (150 mm)								(V3) 2 SPST with DIN plug	(TM) 2" pipe mount- ing bracket (inline mounting only)
			(D) IP65 standard case					(V4) 2 SPST with terminals strip	(EP) Maximum pointer (not for liquid filled, 2" and 6" housing)
					¹⁾ no switches possible, switch without indication available			(V5) 1 SPDT with DIN plug	
				¹⁾ with adapter				(V6) 1 SPDT with terminals strip	
							psi and others on request	(V7) 2 SPDT with DIN plug	
								(V8) 2 SPDT with terminals strip	
							others on re- quest		

How to order

Size	Type	System material	Execution	Process connection	Connection orientation	Range	Engineering unit	Filling/case/contacts	Option
25	1130	F	D	RQ	L	0/1	BAR	=	NH

Ashcroft Instruments GmbH

Germany
Max-Planck-Str. 1, D-52499 Baesweiler
P.O. Box 11 20, D-52490 Baesweiler
Tel.: +49 (0) 2401 808-0, Fax: +49 (0) 2401 808-125

France
„206" ZA Le Mandinet Rue des Campanules
F-77185 Lognes
Tel.: +33 (0) 1 60 37 25 30, Fax: +33 (0) 1 60 37 25 39

Website: www.ashcrofteurope.com

e-Mail: sales@ashcrofteurope.com

United Kingdom

Unit 5 William James House
Cowley Road, Cambridge CB4 0WX
Tel.: +44 (0) 12 23 39 55 00, Fax: +44 (0) 12 23 39 55 01