

Low pressure bellows gauge, solid front

Model 1187, 1188 and 1189

According ASME B40.1
 Nominal size 4 ½ and 6 inch
 Accuracy: Grade A (2-1-2 %)

Features

- Rugged construction
- Protection IP54
- High sensitivity
- Phenolic or Aluminum case
- Bellows-actuated mechanism
- Measuring system brass, stainless steel or Monel



Ranges

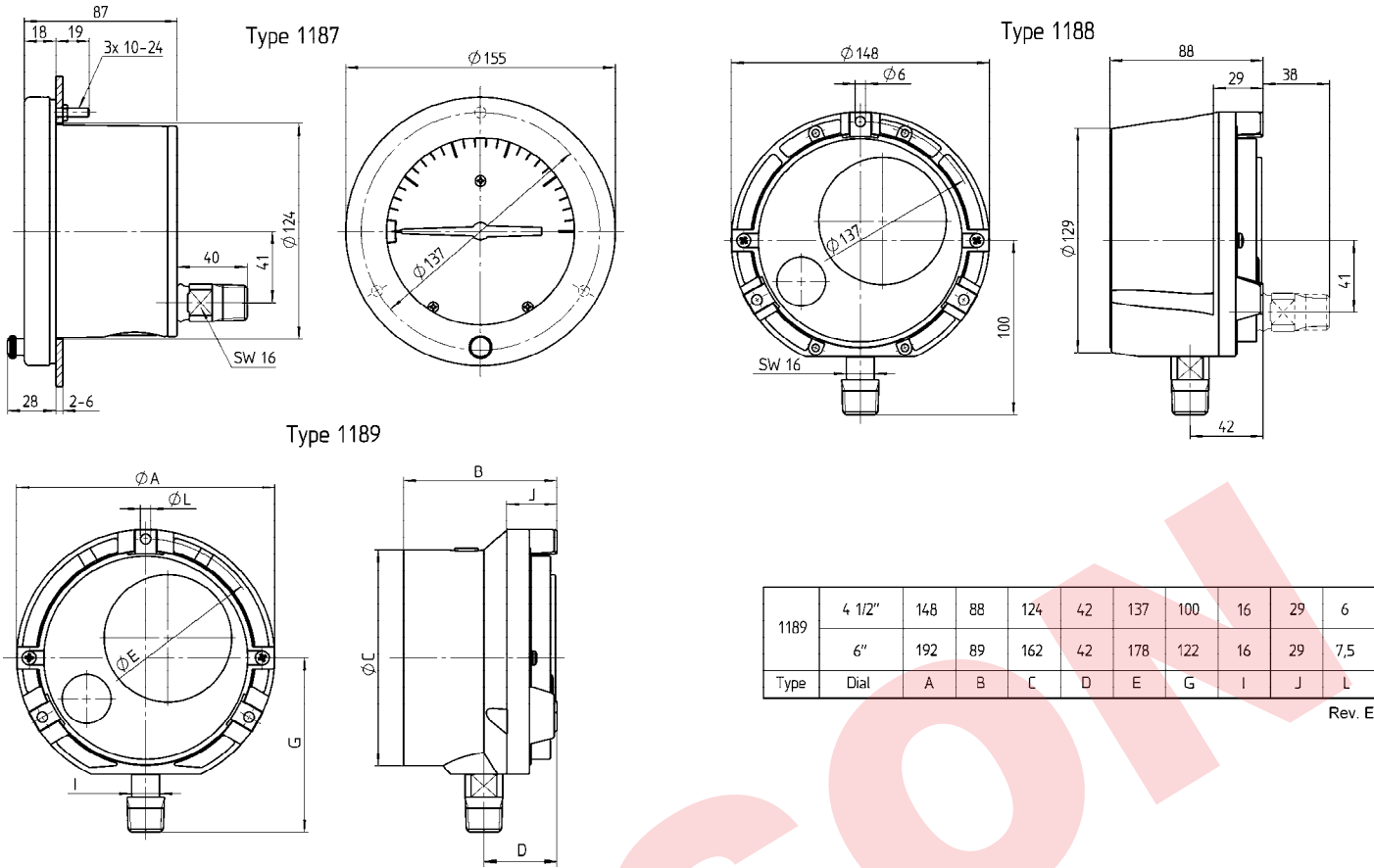
-25 ... 0 mbar up to 0 ... 600 mbar
 -10 ... 0 in. H₂O up to 0 ... 10 psi

Applications

Chemical and petrochemical industry
 Machine and apparatus construction
 Air handling and packing systems

Technical specification	1188	1189	1187
Dial size in inch	4 ½	4 ½	6
Construction housing ring	Solid front safety pattern with blow out at the back Threaded		Hinged
Measuring principle	Bellows-actuated mechanism		
Range in mbar	25 40 60 100 160 250 400 600	-25 -40 -60	-100 -160 -250 -400 -600
Overpressure limit	±12,5 ±20 ±30 ±50 ±80 ±125 ±200 ±300		
Pressure type	F.S., short time Gauge, vacuum and compound		
Process connection	¼ NPT male (standard), ½ NPT male according ANSI/ASME B1.20.1/EN 837-1 Metric connections with adapter G ¼ B male, G ½ B male according EN 837-1, M20x1,5 male Others on request		
Connection location	Lower, back	Lower	Back
Material	Brass, stainless steel 316 (1.4401) or Monel Bellows Brass, stainless steel 316 (1.4401) or Monel Case Phenolic Ring Polypropylene Window Instrument glass, optional laminated safety glass or acrylic glass Dial Aluminum, black markings on white background Pointer Aluminum, black, micrometer adjustment Movement Series 400 stainless steel		
Accuracy	Grade A (2-1-2 % F.S.)		
Permissible	Ambient temperature -15 ... 60 °C Medium temperature Max. 120 °C Storage temperature -40 ... 65 °C Effect Max. 0,3 % / 10 K		
Protection according EN 60 529/IEC 529	IP54		
Mounting	Stem, surface, optional flush		Stem, flush
Weight in kg	1,1	1,1	1,4
Accessories, options	Diaphragm seals, valves		

General dimensions in mm



Order information

Size	Type	System material	Execution	Process connection	Connection orientation	Range	Engineering unit	Options
(45) 4 1/2 inch (115 mm)	1187	(A) Brass	(S) Standard IP54	(02) 1/4 NPT male	(L) Lower (not for type 1187)	-25/ 0 -40/ 0	MBAR	(NH) Tagging wired
	1188	(S) 316 (1.4401)		(04) 1/2 NPT male	(B) Back (not for type 1189)	-60/ 0 -100/ 0 -160/ 0 -250/ 0 -400/ 0 -600/ 0		(PD) Acrylic glass (SG) Safety glass
(60) 6 inch (150 mm) (not for type 1187 and 1188)	1189	(P) Monel 400		Metric connections with adapter		0/ 25 0/ 40 0/ 60 0/ 100 0/ 160 0/ 250 0/ 400 0/ 600		(1278M) Flush mounted ring for 4 1/2" and 6" (not for type 1187)
				(13) G 1/4 B male (15) G 1/2 B male (16) M20x1,5 male		-12,5/ 12,5 -20/ 20 -30/ 30 -50/ 50 -80/ 80 -125/ 125 -200/ 200 -300/ 300	in. H ₂ O and others on request	others on request

Order example

Size	Type	System material	Execution	Process connection	Connection orientation	Range	Engineering unit	Options
45	1188	S	S	02	L	0/25	MBAR	NH

Ashcroft Instruments GmbH

Germany
Max-Planck-Str. 1, D-52499 Baesweiler
P.O. Box 11 20, D-52490 Baesweiler
Tel.: +49 (0) 2401 808-0, Fax: +49 (0) 2401 808-125

France
„206“ ZA du Mandinet, 1/3 Rue des Campanules
F-77185 Lognes
Tel.: +33 (0) 1 60 37 25 30, Fax: +33 (0) 1 60 37 25 39

Website: www.ashcroft.eu

e-Mail: sales@ashcroft.com

United Kingdom
Unit 5 William James House
Cowley Road, Cambridge CB4 0WX
Tel.: +44 (0) 12 23 39 55 00, Fax: +44 (0) 12 23 39 55 01