

Duragaugage pressure gauge, solid front Model 1279, 1377, 1379 and 2462

According ASME B40.1

Nominal size 4 ½, 6 and 8 ½ inch

Accuracy: Grade 2A (0,5 %)

Features

- Rugged construction
- Protection IP54 or IP65
- Usable to full scale
- Overload protection 130 %
- Dry, liquid filled or liquid less (*PLUS!* gauge)
- Measuring system brass, stainless steel or Monel

Ranges

-1 ... 0 bar up to 0 ... 7000 bar

-30 in. Hg ... 0 psi up to 0 ... 100.000 psi

Applications

Chemical and petrochemical industry

Machine and apparatus construction

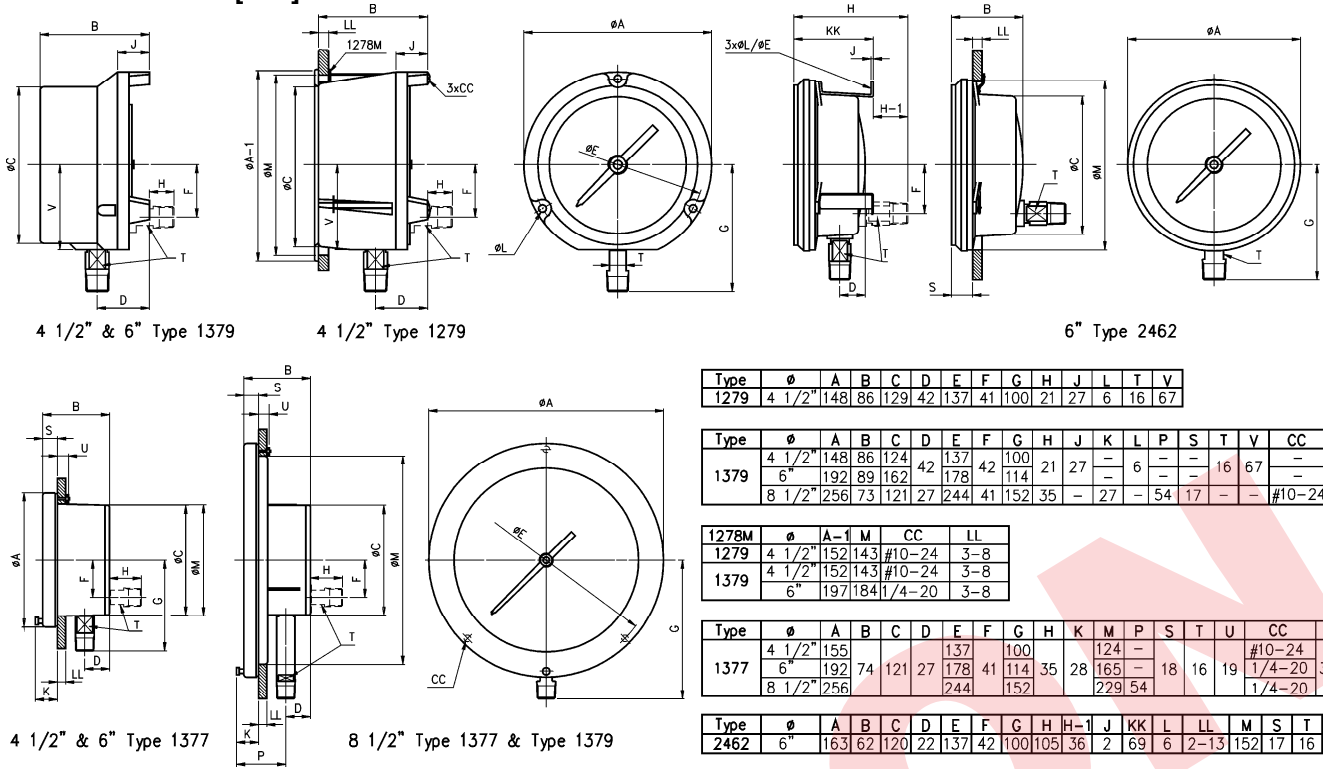
Food and beverage industry

Pulp and paper industry



Technical specification	1279	1379				1377			2462									
Dial size [inch]	4 ½	4 ½	6	8 ½	4 ½	6	8 ½	6										
Construction housing ring	Solid front safety pattern with blow out at the back				Threaded			Hinged	Bayonet									
Measuring principle	Bourdon tube																	
Range [bar]	0,6	1	1,6	2,5	4	6	10	16	25	40	60	100	160	250	400	600	1000	1600
High pressure [bar] (6 inch only)	-1/0	-1/0,6	-1/1,5	-1/3	-1/5	-1/9	Receiver 0,2/1											
Overpressure limit	130 % F.S., short time																	
Pressure type	Gauge, vacuum and compound																	
Process connection	G ¼ B male, G ½ B male, M20x1,5 male																	
	¼ NPT male, ½ NPT male according ANSI/ASME B1.20.1																	
	9/16-18 UNF-2B Aminco, others on request																	
Connection location	Lower, back																	
Material																		
Pressure connection	Brass, stainless steel 316L (1.4404) or Monel																	
Tube	Bronze, stainless steel 316L (1.4404) or Monel																	
Case	Phenolic				Aluminum, black epoxy coated			Polypropylene										
Ring	Polypropylene				Steel enamel coated			Polypropylene										
Window	Instrument glass, optional laminated safety glass or acrylic glass (standard for high pressure)																	
Dial	Aluminum, black markings on white background																	
Pointer	Aluminum, black, micrometer adjustment, optional red set hand or maximum pointer																	
Movement	Stainless steel 400 series, stainless steel Teflon coated pinion gear and segment																	
Accuracy	Grade 2A (0,5 % F.S.)																	
Permissible																		
Ambient temperature	-25 ... 60 °C, liquid filled -45 ... 120 °C																	
Medium temperature	max. 120 °C																	
Storage temperature	-40 ... 65 °C																	
Effect	max. 0,3 % / 10 K																	
Protection according EN 60 529/IEC 529	IP54 (dry), IP65 (liquid filled), optional IP65 for dry gauges																	
Filling liquids	Glycerin, silicone, halocarbon, others on request				Filling not available													
	Optional dampened movement (<i>PLUS!</i> gauge), liquid less gauge, functions as liquid filled gauge																	
Mounting	Stem, surface, optional flush				Stem, flush			Stem, flush, optional surface										
Weight dry/filled [kg]	1,1/1,5	1,1/1,5	1,4/2	2/2,6	1,1/-	1,4/-	2/-	1,1/-										
Accessories, options	Diaphragm seals, valves, gauges with contacts, gauges with electric output, NACE																	

General dimensions [mm]



Type	ø	A	B	C	D	E	F	G	H	J	L	T	V
1279	4 1/2"	148	86	129	42	137	41	100	21	27	6	16	67

Type	ø	A	B	C	D	E	F	G	H	J	K	L	P	S	T	V	CC	LL
1379	4 1/2"	148	86	124	42	137	42	100	21	27	-	6	-	-	16	67	-	3-13
	6"	192	89	162	42	178	41	114	21	27	-	6	-	-	16	67	-	3-13
	8 1/2"	256	73	121	27	244	41	152	35	-	27	-	54	17	-	-	#10-24	-

1278M	ø	A-1	M	CC	LL
1279	4 1/2"	152	143	#10-24	3-8
1379	4 1/2"	152	143	#10-24	3-8
	6"	197	184	1/4-20	3-8

Type	ø	A	B	C	D	E	F	G	H	K	M	P	S	T	U	CC	LL
1377	4 1/2"	155	-	-	137	-	-	100	-	-	124	-	-	-	-	#10-24	-
	6"	192	74	121	27	178	41	114	35	28	165	-	18	16	19	1/4-20	3-13
	8 1/2"	256	-	-	244	-	-	152	-	-	229	54	-	-	-	1/4-20	-

Type	ø	A	B	C	D	E	F	G	H	H-1	J	KK	L	LL	M	S	T
2462	6"	163	62	120	22	137	42	100	105	36	2	69	6	2-13	152	17	16

Rev. G

Order information

Size	Type	System material	Execution	Process connection	Connection orientation	Range	Engineering units	Filling liquid	Options
(45) 4 1/2 inch (115 mm) ¹⁾	1279	(A) Brass socket, bronze tube ¹⁾	(S) Solid front IP54	(04) 1/2 NPT male ¹⁾	(L) Lower	-1/ 0	(BAR)	(=) Standard no filling	(NH) Tagging wired
	1377	(S) 316L (1.4404) ²⁾	(SH) Hermetically sealed IP65, field fillable ¹⁾	(02) 1/4 NPT male ¹⁾	(B) Back ¹⁾	-1/ 3		(GV) Silicone	(TX) Throttle screw stainless steel (not for process connection 09)
(60) 6 inch (150 mm) ²⁾	1379	(P) Monel 400 socket, K-Monel 500 tube ²⁾⁴⁾	(SL) Liquid filled IP65 ¹⁾	(09) 9/16-18 UNF-2B Aminco (standard for high pressure > 1000 bar)		-1/ 5		(GV3) Silicone 3 cst	(6B) Oxygen service
	2462	(WW) 316 (1.4401) socket, inconel 718 tube ³⁾		(13) G 1/4 B male ¹⁾		-1/ 9		(HA) Halo-carbon	(PD) Acrylic glass
(85) 8 1/2 inch (215 mm) ³⁾				(15) G 1/2 B male ¹⁾		0/ 0,6		(GR) Glycerin	(SG) Safety glass
				(16) M20x1,5 male ¹⁾		0/ 1			(EP) Maximum pointer adjustable
						0/ 1,6			(SH) Red set hand stationary
						0/ 2,5			(LL) Liquid less gauge (PLUS! gauge) (not for process connection 09)
						0/ 4			(PR) Receiver gauge
						0/ 6			(1278M) Flush mounting ring for 4 1/2" and 6" type 1279 and 1379
						0/ 10			
						0/ 16			
						0/ 25			
						0/ 40			
					0/ 60				
					0/ 100				
					0/ 160				
					0/ 250				
					0/ 400				
					0/ 600				
					0/ 1000				
					0/ 1600				
					0/ 2500				
					0/ 4000				
					0/ 6000				
					0/ 7000				

¹⁾ not for type 2462

²⁾ not for type 1279

³⁾ not for type 1279 and 2462

¹⁾ max. 60 bar

²⁾ max. 1600 bar

³⁾ only for high pressure gauges type 60-1379

⁴⁾ not for size 85

¹⁾ not for type 1377 and 2462

¹⁾ max. 1000 bar

¹⁾ not for type 85-1379

psi and others on request

How to order

Size	Type	System material	Execution	Process connection	Connection orientation	Range	Engineering unit	Filling liquid	Option
45	1279	S	SL	15	L	0/16	BAR	GR	NH

Ashcroft Instruments GmbH

Germany
Max-Planck-Str. 1, D-52499 Baesweiler
P.O. Box 11 20, D-52490 Baesweiler
Tel.: +49 (0) 2401 808-0, Fax: +49 (0) 2401 808-125

France
„206“ ZA Le Mandinet Rue des Campanules
F-77185 Lognes
Tel.: +33 (0) 1 60 37 25 30, Fax: +33 (0) 1 60 37 25 39

Website: www.ashcrofteurope.com

e-Mail: sales@ashcrofteurope.com

United Kingdom
Unit 5 William James House
Cowley Road, Cambridge CB4 0WX
Tel.: +44 (0) 12 23 39 55 00, Fax: +44 (0) 12 23 39 55 01