

Stainless steel differential pressure gauge

Model F5503

Max. static pressure 400 bar

Nominal size 100 mm or 160 mm

Accuracy: Class 1,6 (EN), optional 1 %



Features

- Stainless steel case and wetted parts
- Static pressure 100 bar, 160 bar, 250 bar and 400 bar optional, one side load permitted
- Protection IP54 or IP65
- Chamber purge and bleed connection available
- High corrosive resistance
- Dry or liquid filled
- Dual diaphragm, solid front not required

Ranges

0 ... 40 mbar up to 0 ... 40 bar

Applications

Chemical and petrochemical industry
Machine and apparatus construction
Food and beverage industry
Pulp and paper industry

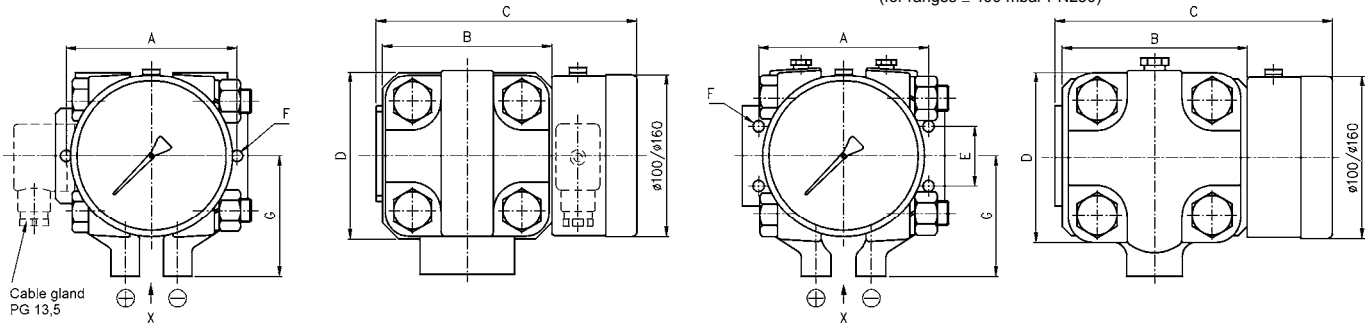


Technical specification	F5503			
Dial size [mm]	100		160	
Construction	Cylindrical case			
Zero adjustment	Externally, at the top of the case			
Measuring principle	Dual diaphragm (see back side), safety design, solid front not required			
Range [mbar]	40 60 100 160 250 400 mbar ranges not for static pressure 400 bar			
[bar]	0,6 1 1,6 2,5 4 6 10 16 25 40			
Max. static pressure [bar]	100 bar, optional 160 bar ¹⁾ , 250 bar ¹⁾ or 400 bar ¹⁾ ¹⁾ Not for system material code HH			
Overload capability	Static pressure is also maximum pressure allowed on one side			
Pressure type	Differential			
Process connection	Flange for direct mounted valves G 1/4 B male, G 1/4 female, G 1/2 B male, G 1/2 female 1/4 NPT male, 1/4 NPT female, 1/2 NPT male, 1/2 NPT female, others on request			
Connection location	Lower			
Material	Stainless steel 316L (1.4404), optional Hastelloy C			
Pressure connection	Stainless steel 316L (1.4404), optional Hastelloy C (max. PN100), Viton O-ring, Teflon on request			
Pressure chamber	> 1 bar stainless steel 316Ti (1.4571), optional Hastelloy C or Monel			
Measuring diaphragm	≤ 1 bar Duratherm (NiCrCo alloy), optional Hastelloy C or Monel			
Case/bayonet ring	Stainless steel 304 (1.4301), optional 316L (1.4404)			
Window	Laminated safety glass			
Dial	Aluminum, black markings on white background			
Pointer	Aluminum, black, optional red set hand or maximum pointer			
Accuracy	Class 1,6 (1,6 % F.S.), optional 1 % or 0,5 % unidirectional			
Permissible	-25 ... 80 °C			
Ambient temperature	Max. 100 °C			
Medium temperature	-40 ... 60 °C			
Storage temperature	Max. 0,3 % / 10 K			
Effect				
Protection according EN 60 529/IEC 529	IP54 (dry), IP65 (liquid filled or field fillable)			
Conformity according to RL 94/9/EC appendix X for mechanical equipment in potential hazardous areas	Optional, Marking $\text{CE} \text{ (Ex)} \text{ II 2 GD } \text{c95 } ^\circ\text{C IP65}$ File no. 8000324431 at notified body 0032, TÜV NORD CERT (only with safety glass and protection IP65 or liquid filling)			
Filling liquids	Glycerin, silicone, others on request			
Mounting	Direct, optional wall or 2" pipe mounting (not for ranges ≤ 400 mbar), others on request			
Weight dry/filled [kg]	100 bar		160 bar, 250 bar or 400 bar	
Max. static pressure ≤ 400 mbar	9/9,5		17/17,5	
≥ 600 mbar	4/4,5		6/6,5	
	100 bar		160 bar, 250 bar or 400 bar	
	9,4/10		17,3/18,5	
	4,5/5		6,3/7,5	
Accessories, options	3 or 5 way remote or direct mounted manifolds, valves, gauges with contacts (see data sheet G1.K55/E), diaphragm seals, NACE/ISO 15156			

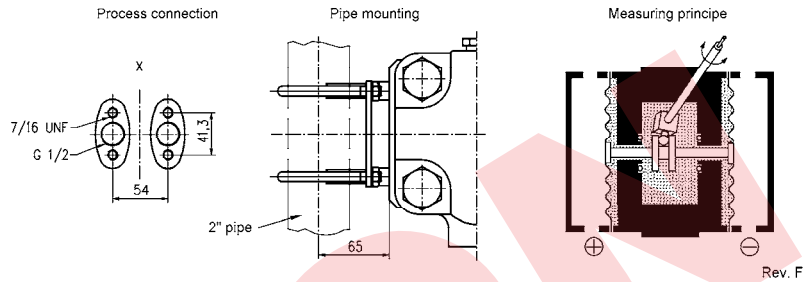
General dimensions [mm]

Max. static pressure PN100

Max. static pressure PN400
(for ranges ≤ 400 mbar PN250)



	A	B	C	D	E	F	G
40–400 mbar max. PN100	132	141	197	141	60	4x Ø9	101
max. PN250	170	175	231	170	60	4x Ø11	120
0,6–40 bar max. PN100	110	93	149	93	–	2x Ø9	76,0
max. PN400	132	113	169	105	–	2x Ø9	86,5



Order information

Size	System material	Execution	Process connection	Connection orientation	Range	Engineering units	Filling/case/contacts	Options
(100) 100 mm	(S) Pressure chamber 316L (1.4404) Diaphragm > 1 bar 316Ti (1.4571), ≤ 1 bar Duratherm	(=) IP54 standard case	(27) G ¼ female	(L) Lower	0/ 40	(MBAR)	(=) Standard no filling	(NH) Tagging wired
(160) 160 mm		(L) Liquid filled IP65	(02) ¼ NPT male		0/ 60		(GV) Silicone	(6B) Oxygen service (body filled with halocarbon)
	(SH) Pressure chamber 316L (1.4404) Diaphragm Hastelloy C		(04) ½ NPT male		0/100		(GR) Glycerin	(CS) Dual scale
	(HH) Pressure chamber and diaphragm Hastelloy C (max. PN100)		(13) G ¼ B male		0/250	(BAR)	(YW) Case material 316L (1.4404)	(DA) Dial marking
	(SM) Pressure chamber 316L (1.4404) Diaphragm Monel only ranges ≥ 0,6 bar		(15) G ½ B male		0/400		() Contact type and function (see data sheet G1.K55/E)	(FW) Wall mounting bracket
			(25) ¼ NPT female		0/ 0,6			(PT) PTFE gasket
			(50) ½ NPT female		0/ 1			(TB) Purge and vent connection G 1/8
			(51) G ½ female and flange for direct mounted valves		0/ 1,6			(TM) 2" pipe mounting bracket (not for ranges ≤ 400 mbar with static pressure ≥ PN160)
					0/ 2,5			(LJ) Field fillable, IP65 (only for execution =)
					0/ 4			(PN100) Max. static pressure 100 bar
					0/ 6			(PN160) Max. static pressure 160 bar ¹⁾
					0/ 10			(PN250) Max. static pressure 250 bar ¹⁾
					0/ 16			(PN400) Max. static pressure 400 bar ¹⁾ (not for ranges ≤ 400 mbar)
					0/ 25			(ATEX) ATEX listed
					0/ 40			¹⁾ not for system material code HH
						psi and others on request		
						compound ranges on request		

How to order

Size	Type	System material	Execution	Process connection	Connection orientation	Range	Engineering unit	Filling/case/contacts	Option
100	F5503	S	=	51	L	0/40	MBAR	=	NH

Ashcroft Instruments GmbH

Germany
Max-Planck-Str. 1, D-52499 Baesweiler
P.O. Box 11 20, D-52490 Baesweiler
Tel.: +49 (0) 2401 808-0, Fax: +49 (0) 2401 808-125

France
„206“ ZA Le Mandinet Rue des Campanules
F-77185 Lognes
Tel.: +33 (0) 1 60 37 25 30, Fax: +33 (0) 1 60 37 25 39

Website: www.ashcrofteurope.com

e-Mail: sales@ashcrofteurope.com

United Kingdom

Unit 5 William James House
Cowley Road, Cambridge CB4 0WX
Tel.: +44 (0) 12 23 39 55 00, Fax: +44 (0) 12 23 39 55 01