

Differential pressure switch series L and G

One or two independent setpoints

Accuracy: $\pm 1\%$

Features

- Stainless steel or aluminum housing
- Easy setpoint adjustment, with setpoint indication
- Protection IP66, IP65 or NEMA 4 and 4X (UL)
- Wetted parts available in several materials
- High static pressure up to 100 bar
- UL and CSA listed

Ranges

75 mbar diff. up to 28 bar diff.

30 in. H₂O up to 400 psid

Applications

Chemical and petrochemical industry

Machine and apparatus construction

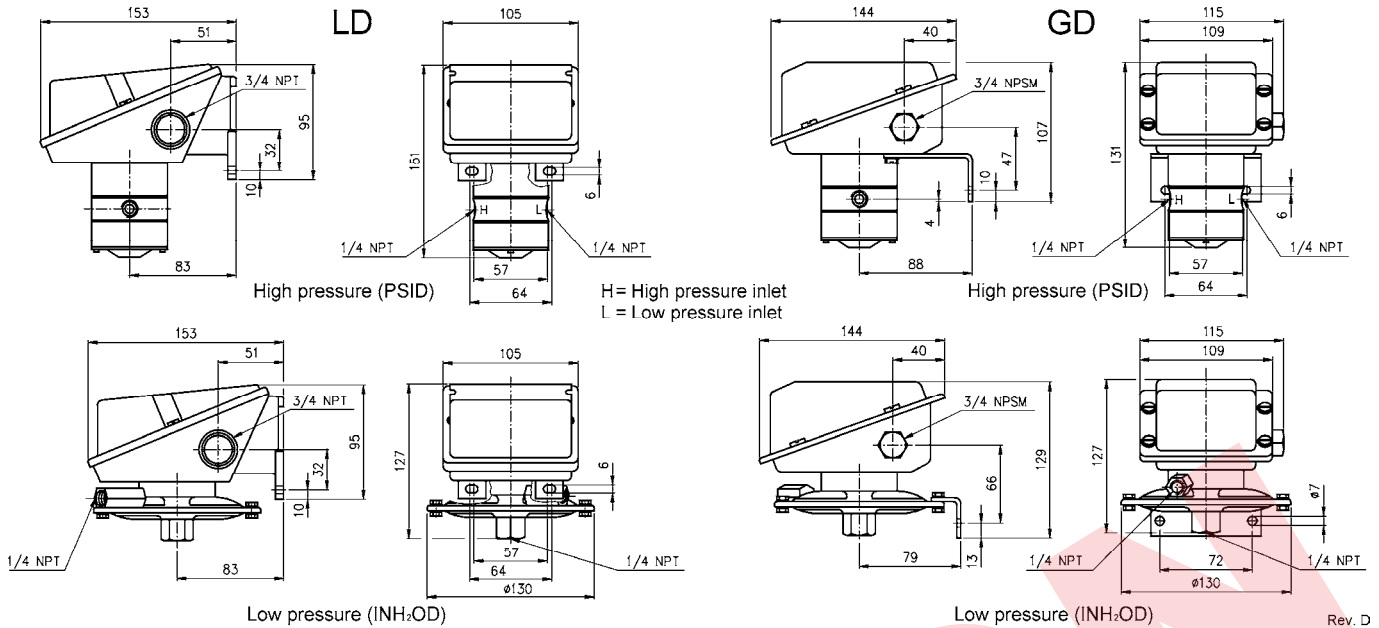
Food and beverage industry

Pulp and paper industry



Technical specification	L series			G series		
	LDA	LDD	LDS	GDA	GDD	GDS
Type	Weatherproof					
Construction	Weatherproof					
Switch (setpoint) functions	One single setpoint	Two setpoints independently adjustable	One single setpoint	One single setpoint	Two setpoints independently adjustable	One single setpoint
Deadband	Adjustable over 80 %	Fixed	Fixed	Adjustable over 80 %	Fixed	Fixed
Measuring principle	Diaphragm-piston-cylinder-system					
Range in mbar	75	150 250	375			
Range in bar	2	4 14	28			
Limits (pressure ranges)	Optional 100 bar static pressure for the ranges 2 bar (only diaphragm Buna N or Viton)					
Max. static pressure in bar	0,37	2 and 4 bar	14 bar	28 bar		
Proof pressure in bar	1,5	35	69	69		
		138	276	551		
Pressure type	Differential pressure					
Process connection	¼ NPT female (standard), ½ NPT male, ½ NPT female G ½ B male, M20x1,5 (metric connections with adapter), others on request					
Connection location	For mbar ranges lower and side, for bar ranges at the side					
Material						
Pressure connection	Standard Nickel plated brass, optional stainless steel 316 (1.4401) or Monel For mbar ranges steel epoxy coated standard, stainless steel on request					
Diaphragm	Buna N, Viton, Teflon, stainless steel 316 (1.4401) (stainless steel only from 2 to 4 bar)					
Housing	Aluminum, epoxy coated grey			Stainless steel 316 (1.4401)		
Accuracy	1 % F.S.					
Electrical specification						
Microswitch ratings	Up to max. 6 A 30 VDC respectively 22 A 250 VAC (see microswitch table)					
Electrical connection	¾ NPT female, optional cable glands, ½ NPT with reducer bushing, M20x1,5, others on request					
General specification						
Permissible						
Ambient temperature	-25 ... 60 °C					
Medium temperature	Buna N and Teflon -18 ... 65 °C, Viton -7 ... 150 °C, Stainless steel -18 ... 150 °C					
Storage temperature	-40 ... 60 °C					
Effect	Max. 0,4 % / 10 K ref. 20 °C					
Protection according UL	NEMA 4 and 4X					
Protection according EN 60 529/IEC 529	IP66			IP65		
CE-mark	Low voltage regulations EN 61 010-1, EN 60 947-1					
Mounting	Standard stem or wall, optional 2" pipe mounting (TM)					
Weight mbar/bar in kg	1,8/2,2			1,6/2,0		
Accessories, options	Diaphragm seals, valves, adapters					

General dimensions in mm



Order information

single	dual	Switch element Description	Material actuator seal	Range	Engineer- ing unit	Protection	Process connection	Electrical connection	Options
		LDA	(B) Buna N ¹⁾	30	INH2OD	(UL) Stan- dard	(25) 1/4 NPT female	(=) Standard	(NH) Tagging wired
		GDA	(V) Viton ²⁾	60					
		(H) General purpose (10 A 250 VAC, 6 A 30 VDC)	(T) Teflon ¹⁾	100					
		(J) Hermetically sealed (11 A 250 VAC, 5 A 28 VDC)	(S) 316 (1.4401) ³⁾	150	PSID	(IP) IP66 (for L series) IP65 (for G series)	(06) 1/4 NPT female/ 1/2 NPT male	(JM) 3/4 NPT to M20x1,5 female re- ducing bush- ing	(6B) Oxygen cleaned (not for Buna N dia- phragm; in. H ₂ OD ranges only with option TA)
		LDS LDD		30					
		GDS GDD		60					
		(C) Heavy duty AC (22 A 250 VAC)		200					
		(F) (FF) Sealed environment proof (15 A 250 VAC)		400					
		(G) (GG) General purpose ¹⁾ (15 A 250 VAC, 6 A 30 VDC)							
		(J) (JJ) Hermetically sealed general purpose ¹⁾ (11 A 250 VAC, 5 A 28 VDC)							
		(K) (KK) Narrow deadband (15 A 250 VAC)							
		(L) (LL) Hermetically sealed gold contacts (1 A 125 VAC) (for use in intrinsically safe circuits)							
		(M) (MM) Low level (gold) contacts (1 A 125 VAC)							
		(P) (PP) Hermetically sealed, narrow deadband (5 A 250 VAC)	1) max. medium temperature -18 ... 65 °C						
		(S) Heavy duty DC (10 A 125 VAC, 10 A 125 VDC)	2) max. medium temperature -7 ... 150 °C						
		(W) (WW) Ammonia service (5A 250 VAC, 6 A 30 VDC)	3) max. medium temperature -18 ... 150 °C only ranges from 30 to 60 psid	note the range can also be specified in mbar or bar					
		(Y) (YY) High temp. (max. 150 °C) (15 A 250 VAC)							
		1) VDC rating not UL listed					1) with Adapter		(TM) 2" pipe mounting bracket
							(15) G 1/2 B male ¹⁾	Only for protec- tion IP	(TA) 316 (1.4401) pressure connec- tion for in. H ₂ OD ranges
							(16) M20x1,5 male ¹⁾		(KV2) Plastic cable gland IP65, PG11
								(KV3) Plastic cable gland IP65, PG13,5	(HS) High static pres- sure (only for Buna N and Vi- ton diaphragm and range 30 psid)
								(KV4) Plastic cable gland IP65, PG16	(MD) Metric ranges
								(KV5) Plastic cable gland PG13,5	(2C) DPDT with single set point adjust- ment (only available with LDS/GDS)

How to order

Type	Switch element	Material actuator seal	Range	Engineering unit	Protection	Process connection	Electrical connection	Option
LDD	GG	B	100	PSID	IP	25	JL	NH

Ashcroft Instruments GmbH

Germany
Max-Planck-Str. 1, D-52499 Baesweiler
P.O. Box 11 20, D-52490 Baesweiler
Tel.: +49 (0) 2401 808-0, Fax: +49 (0) 2401 808-125

France
„206“ ZA Le Mandinet, 1/3 Rue des Campanules
F-77185 Lognes
Tel.: +33 (0) 1 60 37 25 30, Fax: +33 (0) 1 60 37 25 39

Website: www.ashcroft.eu

United Kingdom
Unit 5 William James House
Cowley Road, Cambridge CB4 0WX
Tel.: +44 (0) 12 23 39 55 00, Fax: +44 (0) 12 23 39 55 01

e-Mail: sales@ashcrofteurope.com