

Capsule type pressure gauge

Model N5500

According EN 837-3
 Nominal size 100 mm or 160 mm
 Accuracy: Class 1,6

Features

- Stainless steel construction
- Suitable for corrosive environments
- Usable to full scale
- Overload protection up to 10 times F.S.
- Adjustment at back side of the case

Ranges

-6 ... 0 mbar up to 0 ... 400 mbar
 -2,5 ... 0 in. H₂O up to 0 ... 150 in. H₂O

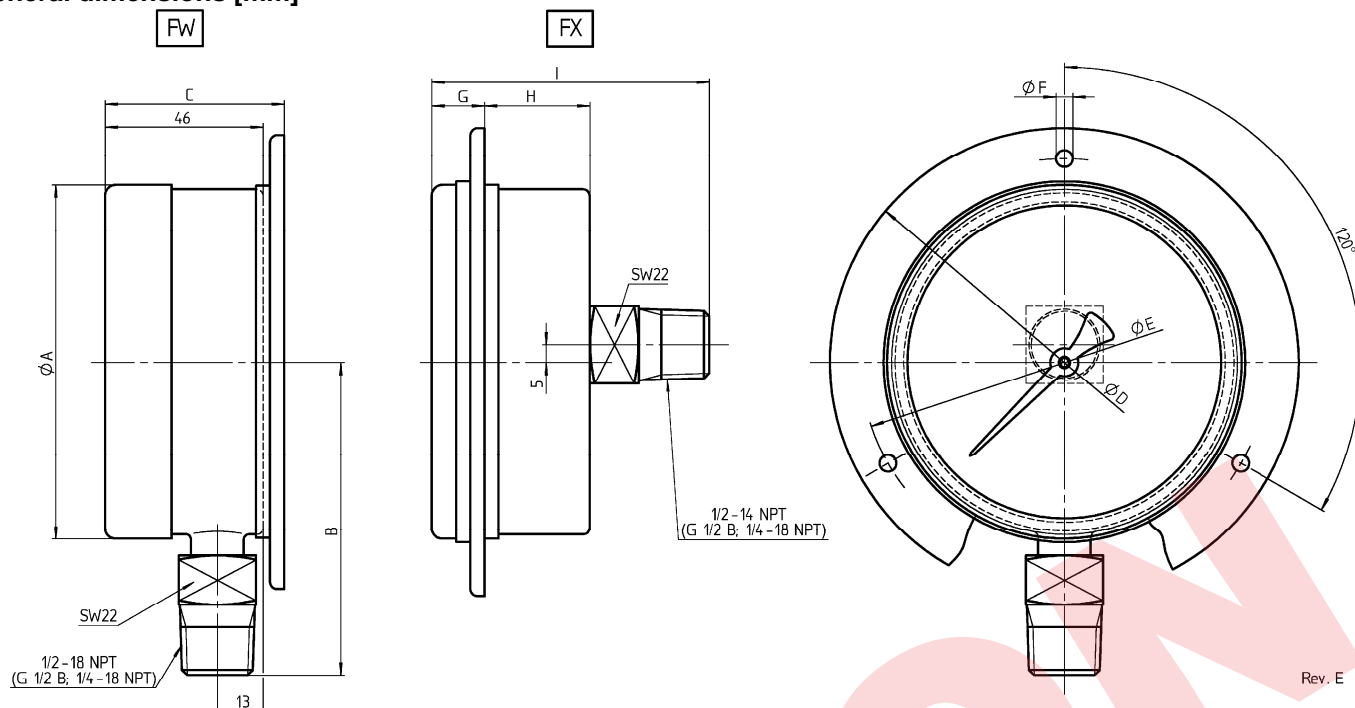
Applications

Chemical and petrochemical industry
 Air conditioning
 Food and beverage industry
 Machine and apparatus construction



Technical specification	N5500	
	100	160
Dial size [mm]	100	160
Construction	Open front cylindrical case, optional with blow out disc at the back	
Zero adjustment	Externally, at the back side of the case	
Measuring principle	Capsule	
Range [mbar]	25 40 60 100 160 250 400	-25/0 -40/0 -60/0 -100/0 -160/0 -250/0 -400/0
Overpressure limit	Continues service up to maximum rating, alternating service up to 90 % F.S. Optional overrange protected up to 10 times F.S. (max. 2 bar)	
Pressure type	Gauge, vacuum and compound	
Process connection	G 1/4 B male, G 1/2 B male, M20x1,5 male 1/4 NPT male, 1/2 NPT male, according ANSI/ASME B1.20.1/EN 837 Others on request	
Connection location	Lower, back	
Material	Pressure connection: Stainless steel 316Ti (1.4571) Capsule: Stainless steel 316 (1.4401) Case/bayonet ring: Stainless steel 304 (1.4301), optional 316 (1.4401) Window: Instrument glass, optional laminated safety glass or acrylic glass Dial: Aluminum, black markings on white background Pointer: Aluminum, black, optional red set hand or maximum pointer Movement: Nickel plated brass	
Accuracy	Class 1,6 (1,6 % F.S.)	
Permissible	Ambient temperature: -25 ... 60 °C Medium temperature: max. 100 °C Storage temperature: -40 ... 60 °C Effect: max. 0,5 % / 10 K	
Protection according EN 60 529/IEC 529	IP45	
Mounting	Standard stem, optional flush or surface, others on request	
Weight [kg]	0,8	1,2
Accessories, options	Valves, pressure limiters	

General dimensions [mm]



	Range	A	B	C	D	E	F	G	H	I
NG100		102	88	51	132	116	5,5	14	37	75
NG160	< 25 mbar	162	119	51	196	178	6,5	15	32	85
	≥ 25 mbar	162	119	61	196	178	6,5	15	32	85

Order information

Size	System material	Process connection	Connection orientation	Range	Engineering units	Case material	Options
(100) 100 mm	(S) Capsule 316 (1.4401) connection	(02) ¼ NPT male	(L) Lower	-6/ 0 ¹⁾	(MBAR)	(=) Standard	(NH) Tagging wired
(160) 160 mm		(04) ½ NPT male	(B) Back	-10/ 0 ¹⁾			(YW) Case material 316 (1.4401)
	(13) G ¼ B male		-16/ 0 ¹⁾			(DA) Dial marking	
	(15) G ½ B male		-25/ 0			(RB) Blow out disc	
	(16) M20x1,5 male		-40/ 0			(PD) Acrylic glass	
			-60/ 0			(SG) Safety glass	
			-100/ 0			(HP) Overpressure load 10 times (max. 2 bar)	
			-160/ 0			(EP) Maximum pointer adjustable	
			-250/ 0			(SH) Red set hand stationary	
			-400/ 0			(FW) Back flange	
			0/ 6 ¹⁾			(FX) Front flange (only back connection)	
			0/ 10 ¹⁾				
			0/ 16 ¹⁾				
			0/ 25				
			0/ 40				
			0/ 60				
			0/ 100				
			0/ 160				
			0/ 250				
			0/ 400				
				¹⁾ only size 160 mm	psi and others on request		

How to order

Size	Type	System material	Process connection	Connection orientation	Range	Engineering unit	Case material	Option
160	N5500	S	15	L	0/6	MBAR	=	NH

Ashcroft Instruments GmbH

Germany
Max-Planck-Str. 1, D-52499 Baesweiler
P.O. Box 11 20, D-52490 Baesweiler
Tel.: +49 (0) 2401 808-0, Fax: +49 (0) 2401 808-125

France
„206“ ZA Le Mandinet Rue des Campanules
F-77185 Lognes
Tel.: +33 (0) 1 60 37 25 30, Fax: +33 (0) 1 60 37 25 39

Website: www.ashcrofteurope.com e-Mail: sales@ashcrofteurope.com

United Kingdom
Unit 5 William James House
Cowley Road, Cambridge CB4 0WX
Tel.: +44 (0) 12 23 39 55 00, Fax: +44 (0) 12 23 39 55 01