

# Diaphragm type pressure gauge

## Model P5500 and P6500

According to EN 837-3

Nominal size 100 mm or 160 mm

Accuracy: Class 1,6 (EN)

### Features

- Stainless steel construction
- Suitable for corrosive environments
- Protection IP65
- Usable to full scale
- Overload protection up to 5 times F.S.
- Dry or liquid filled

### Ranges

-25 ... 0 mbar up to 0 ... 25 bar

-10 ... 0 in. H<sub>2</sub>O up to 0 ... 300 psi

### Applications

Chemical and petrochemical industry

Machine and apparatus construction

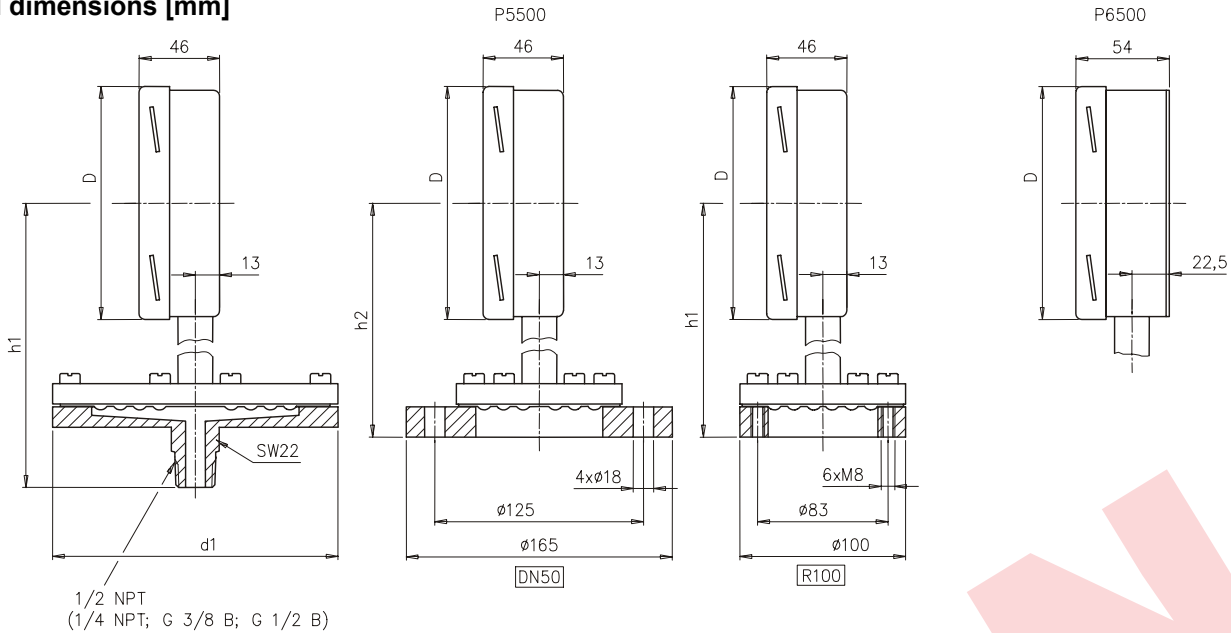
Food and beverage industry

Pulp and paper industry



Technical specification	P5500				P6500										
	100		160		100		160								
Dial size [mm]	100		160		100		160								
Construction	Open front cylindrical case, optional with blow out disc at the back				Solid front safety pattern cylindrical case with blow out at the back										
Measuring principle	Horizontal diaphragm														
Range [mbar]	25	40	60	100	160	250	400	-25/0	-40/0	-60/0	-100/0	-160/0	-250/0	-400/0	
[bar]	0,6	1,0	1,6	2,5	4	6	10	16	25	-1/0	-1/0,6	-1/1,5	-1/3	-1/5	-1/9
Overpressure limit	Continues service up to maximum rating, alternating service up to 90 % or rating														
Pressure type	Optional 5 times F.S., but max. 40 bar Gauge, vacuum and compound														
Process connection	G 1/4 B male, G 3/8 B male, G 1/2 B male 1/4 NPT male, 1/2 NPT male according to ANSI/ASME B1.20.1 Direct flange DN25/PN40, DN50/PN40, open ring dia. 100x83x6xM8 with opening dia. 63 mm Extended flange DN25/PN16-40, DN40/PN16-40, DN50/PN16-40 Extended flange 1", 1 1/2", 2", 150 ... 600 lbs RF according to ANSI/ASME Others on request														
Connection location	Lower														
Material	Measuring flange: Stainless steel 316 (1.4401), on request Halar coated or PTFE lined or Polypropylene Diaphragm: > 2,5 bar steel covered with stainless steel 316 (1.4401), on request PTFE-lining Case/bayonet ring: ≤ 2,5 bar stainless steel 316Ti (1.4571), on request PTFE-lining Window: Stainless steel 304 (1.4301), optional 316 (1.4401) Instrument glass, optional laminated safety glass or Laminated safety glass, optional acrylic glass Dial: Aluminum, black markings on white background Pointer: Aluminum, black, optional micrometer adjustment, red set hand or maximum pointer Movement: Stainless steel 304 (1.4301)														
Accuracy	Class 1,6 (1,6 % F.S.)														
Permissible	Ambient temperature: -25 ... 50 °C Medium temperature: Max. 100 °C Storage temperature: -40 ... 60 °C Effect: Max. 0,5 % / 10 K														
Protection according to EN 60 529/IEC 529	IP65														
Filling liquids	Glycerin, silicone, others on request, only possible for ranges ≥ 40 mbar														
Mounting	Standard stem or flange														
Weight ≤ 400 mbar / > 400 mbar [kg]	2,3/1,8		3,8/3,4		2,3/1,8		3,8/3,4								
Accessories, options	Valves, gauges with contacts (see G1.K55/E), compensation diaphragm for filled cases														

## General dimensions [mm]



NG	∅D	∅d1	h1	h2
100 mm	102	100 <sup>1)</sup>	160 <sup>2)</sup>	132
160 mm	162	100 <sup>1)</sup>	160 <sup>2)</sup>	147

<sup>1)</sup> Pressure range > 400 mbar    <sup>2)</sup> Pressure range ≤ 400 mbar

Rev. C

## Order information

Size	Type	System material	Execution	Process connection	Connection orientation	Range	Engineering units	Filling/blow out	Options
(100) 100 mm	<b>P5500</b>	(S) Diaphragm 316Ti (1.4571), flange	(=) IP65	(04) ½ NPT male	(L) Lower	-25/ 0 -40/ 0 -60/ 0 -100/ 0 -160/ 0 -250/ 0 -400/ 0	<b>MBAR</b>	(=) Standard no filling	(NH) Tagging wired (CS) Dual scale
(160) 160 mm	<b>P6500</b>	316 (1.4401)  (SP) > 400 mbar diaphragm PTFE-lined, flange polypropylene  (SH) Diaphragm 316Ti (1.4571), flange 316 (1.4401) Halar coated  (ST) Diaphragm 316Ti (1.4571), flange 316 (1.4401) PTFE-lined	(L) Liquid filled IP65 <sup>1)</sup>	(02) ¼ NPT male  (13) G ¼ B male  (14) G 3/8 B male  (15) G ½ B male  (DN50) Flange DN50  (R100) Open flange with ring dia. 100x83x6xM8		0/ 25 0/ 40 0/ 60 0/ 100 0/ 160 0/ 250 0/ 400  -1/ 0 -1/ 1,5 -1/ 3 -1/ 5 -1/ 9 -1/ 15 -1/ 24  0/ 0,6 0/ 1 0/ 1,6 0/ 2,5 0/ 4 0/ 6 0/ 10 0/ 16 0/ 25	<b>BAR</b>	(GV) Silicone (GR) Glycerin (RB) Blow out disc (only dry execution) (RBL) Blow out disc with compensation dia- phragm (only for liquid filled execution)  ( ) Contact type and function (see G1.K55/E)	(6B) Oxygen cleaned (MP) Micrometer pointer (EP) Maximum pointer, adjustable (PD) Acrylic glass (SG) Safety glass (HP) Overpressure load 5 times (max. 40 bar) (DA) Dial marking (SH) Red set hand stationary
			<sup>1)</sup> liquid filled only for ranges ≥ 40 mbar	others on request			psi and others on request		

## How to order

Size	Type	System material	Execution	Process connection	Connection orientation	Range	Engineering unit	Filling/blow out	Option
100	P5500	S	=	04	L	-25/0	MBAR	=	NH

## Ashcroft Instruments GmbH

Germany  
Max-Planck-Str. 1, D-52499 Baesweiler  
P.O. Box 11 20, D-52490 Baesweiler  
Tel.: +49 (0) 2401 808-0, Fax: +49 (0) 2401 808-125

France  
„206“ ZA Le Mandinet Rue des Campanules  
F-77185 Lognes  
Tel.: +33 (0) 1 60 37 25 30, Fax: +33 (0) 1 60 37 25 39

Website: [www.ashcrofteurope.com](http://www.ashcrofteurope.com)

e-Mail: [sales@ashcrofteurope.com](mailto:sales@ashcrofteurope.com)

United Kingdom  
Unit 5 William James House  
Cowley Road, Cambridge CB4 0WX  
Tel.: +44 (0) 12 23 39 55 00, Fax: +44 (0) 12 23 39 55 01