

Truncated type flanged diaphragm seal model DT

Flanged connections to ANSI/ASME or EN

Features

- Welded diaphragm seal
- Variety of wetted parts materials
- Filling port in the upper housing
- Suitable for pressure gauges, switches and transmitters

Flange size

DN50, DN80 and DN100
2", 3" and 4"

Pressure rating

From PN16 up to PN40
From 150 lbs up to 300 lbs

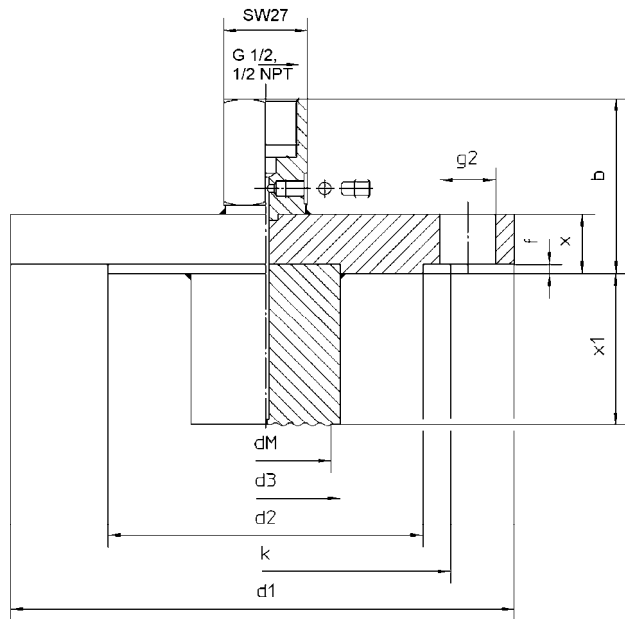
Applications

Chemical and petrochemical industry
Machine and apparatus construction
Offshore installations
Waste water treatment



Technical specification	DT
Process connection size, flanged	ANSI EN
Rating	ANSI EN
Extension length	
Construction	
Fill port	
Measuring principle	
Instrument connections (female)	
Sealing surfaces	
Material (wetted parts)	
Material (non wetted parts)	
Accuracy	
Minimum range span	
Filling liquids (temperature range)	
Mounting	
Weight dry in kg	
Accessories, options	

General dimensions [mm]



DN	PN	b	d1	d2	d3	dM	f	g2	k	x
50	40	57,5	165	102	48,3	45	3	4 x Ø 18	125	20
80	16	57,5	200	138	76	72	3,5	8 x Ø 18	160	20
	40	61,5	200	138	76	72	3,5	8 x Ø 18	160	24
100	16	57,5	220	158	94	90	4	8 x Ø 18	180	20
	40	61,5	235	162	94	90	4	8 x Ø 22	190	24
2"	300	60	165	92	48,3	45	1,6	8 x Ø 20	127	22,5
3"	150	61,5	191	127	76	72	1,6	4 x Ø 20	152,4	24
	300	66	210	127	76	72	1,6	8 x Ø 23	168,1	28,5
4"	150	61,5	229	157	94	80	1,6	8 x Ø 20	190,5	24
	300	69,5	254	157	94	80	1,6	8 x Ø 23	200,2	32

x1	DN	Min span	DN	Min span
50	50	1 bar	2"	1 bar
100	80	0,6 bar	3"	0,6 bar
150	100	0,6 bar	4"	0,6 bar

Related to pressure gauges 100 mm and valid also for vacuum and compound ranges.

Order information

Process connection	Diaphragm material	Flange material	Instrument connection	Rating	Flange Facing	Extension length	Filling fluid	Options
ANSI flange	(S) 316L (1.4435)	(S) 316Ti (1.4571)	(04T) ½ NPT female	ANSI flange	ANSI flange	(50) 50 mm	(CG) Glycerin (direct mounted, 0/400 °F, -18/204 °C)	(NH) Tagging wired
(20) 2" ¹⁾	(P) Monel 400	(TI) Titanium (only with Titanium diaphragm)	(15T) G ½ female	(150) 150 lbs	(RF) Raised face	(100) 100 mm	(CK) Silicone (direct mounted or with capillary ≤ 10' (3 m), -40/600 °F, -40/315 °C)	(6B) Oxygen cleaned (only filled with halocarbon)
(30) 3" ²⁾	(H) Hastelloy C276			(300) 300 lbs		(150) 150 mm		(1115A) Stainless steel armored capillary ¹⁾
(40) 4" ²⁾	(G) Hastelloy B2					(200) 200 mm	(EJ) Silicone (with capillary > 10' (3 m), -40/600 °F, -40/315 °C)	(1115P) Stainless steel armored capillary with PVC sleeving ¹⁾
EN flange Nominal Diameter	(TI) Titanium max temperature limit 480 °F, 250 °C			EN flange	EN flange		(CF) Halocarbon (direct mounted or with capillary, -70/300 °F, -56/149 °C)	
(DN50) ¹⁾	(U) Tantalum sheathing max temperature limit 480 °F, 250 °C			(PN16) ¹⁾	The EN flange facing depends on nominal size and nominal pressure		(HA) Syltherm 800 (direct mounted or with capillary, -40/750 °F, -40/400 °C)	
(DN80) ²⁾	(SH) Halar coated (ECTFE) max temperature limit 300 °F, 150 °C			(PN40)			(GZ) Vegetable oil (direct mounted or with capillary, 32/248 °F, 0/120 °C)	
(DN100) ²⁾	(SP) PFA coated max temperature limit 300 °F, 150 °C						(NM) Neobee M-20 (direct mounted or with capillary, 0/320 °F, -17/160 °C)	
	(W) Gold plated						others on request	
¹⁾ minimum span 1 bar		others on request	others on request	¹⁾ only for DN80 and DN100				¹⁾ max. length 30 m, specify connections as per connection table and length in [mm], E. G. armored line with length 3 meters 1115A-3000
²⁾ minimum span 0,6 bar				others on request				

How to order

Process connection	Type	Diaphragm material	Flange material	Instrument connection	Rating	Flange Facing	Extension length	Filling fluid	Option
20	DT	S	S	04T	300 LBS	RF	100	CK	NH

Ashcroft Instruments GmbH

Germany
Max-Planck-Str. 1, D-52499 Baesweiler
P.O. Box 11 20, D-52490 Baesweiler
Tel.: +49 (0) 2401 808-0, Fax: +49 (0) 2401 808-125

France
„206“ ZA Le Mandinet Rue des Campanules
F-77185 Lognes
Tel.: +33 (0) 1 60 37 25 30, Fax: +33 (0) 1 60 37 25 39

Website: www.ashcrofteurope.com e-Mail: sales@ashcrofteurope.com

United Kingdom
Unit 5 William James House
Cowley Road, Cambridge CB4 0WX
Tel.: +44 (0) 12 23 39 55 00, Fax: +44 (0) 12 23 39 55 01