

Type 1259 Process Pressure Gauge



- Solid front safety case
- Accuracy complies with ASME B 40.1 Grade 2A ($\pm 0.5\%$ of span)
- As-welded Bourdon Tube for safety and longer life
- Micrometer adjustable pointer.
- Adjustable movement
- Ranges: vac to 20,000 psi
- Date coded socket to ensure pedigree
- Wetted part material printed on dial
- Liquid filled case option (Code L)

The Type 1259 process gauge is offered with an as-welded Bourdon tube to ensure safety and a longer life than competitive gauges. Meeting ASME B40.1, the Type 1259 process gauge has been engineered to meet marketplace requirements.

PRODUCT SPECIFICATIONS

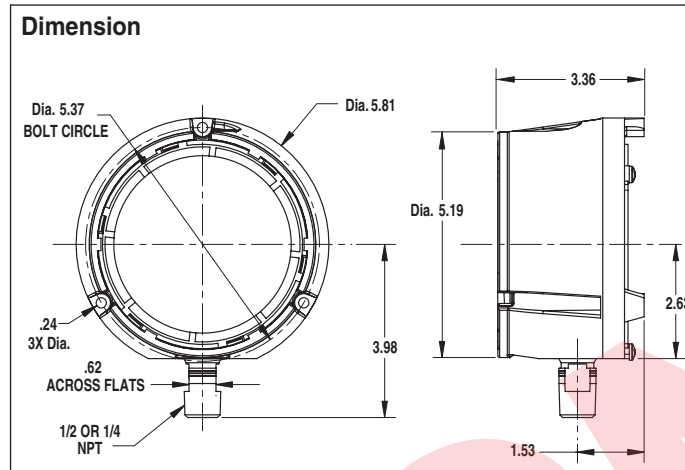
Model Number:	1259
Accuracy:	1/2% full scale (Grade 2A, ASME B40.100)
Ranges:	Vacuum – 20,000 psi
Ring Type:	Cam lock, fiberglass reinforced thermoplastic
Dial Size:	4 1/2" diameter
Case:	Solid front safety
Case Material:	Fiberglass reinforced thermoplastic
Window:	Glass
Dial:	Aluminum, white background, black pressure scale.
Pointer:	Micrometer adjustable
Movement:	Adjustable 300 series ss
Bourdon Tube:	316L SS/316L SS(S) K Monel/Monel (P)
Connection Size:	1/4", 1/2" NPT
Connection Location:	Lower
PRODUCT OPTIONS	
PLUS! Performance: XLL	
Fill:	L-Glycerin
Hermetic Seal:	XLJ
Flush Mounting Ring:	X56, X57
Shatter Proof Glass Window:	XSG
Window Acrylic:	XPD

PSI RANGES	
Pressure – psi	
Range ⁽¹⁾	
0/15	
0/30	
0/60	
0/100	
0/160	
0/200	
0/300	
0/400	
0/600	
0/800	
0/1000	
0/1500	
0/2000	
0/3000	
0/4000	
0/6000	
0/10,000	
0/20,000	
Vacuum	
30/0 in.Hg	
34/0 ftH ₂ O	
Compound	
30"Hg/15 psi	
30"Hg/30 psi	
30"Hg/60 psi	
30"Hg/100 psi	
30"Hg/150 psi	
30"Hg/300 psi	

METRIC RANGES	
Pressure – kg/cm ² and bar	
Range	(Outer Scale) psi
0/1	0/14
0/1.6	0/22
0/2.5	0/35
0/4	0/55
0/6	0/85
0/10	0/140
0/16	0/220
0/25	0/350
0/40	0/550
0/60	0/850
0/100	1400
0/160	2200
0/250	3500
0/400	5500
0/600	8500
0/1000	14,000
0/1600	22,000
Vacuum	Outer Scale
-1/0	30"Hg
Compound	
-1/0/1.5	30"Hg/20
-1/0/3	30"Hg/40
-1/0/5	30"Hg/70
-1/0/9	30"Hg/125
-1/0/15	30"Hg/215
-1/0/24	30"Hg/340

METRIC RANGES			
Pressure – kPa		Pressure – mPa	
Range	(Outer Scale) psi	Range	(Outer Scale) psi
0/100	0/14	0/0.1	0/14
0/160	0/22	0/0.16	0/22
0/250	0/35	0/0.25	0/35
0/400	0/55	0/0.4	0/55
0/600	0/85	0/0.6	0/85
0/1000	0/140	0/1	0/140
0/1600	0/220	0/1.6	0/220
0/2500	0/350	0/2.5	0/350
0/4000	0/550	0/4	0/550
0/6000	0/850	0/6	0/850
0/10,000	1400	Vacuum	Outer Scale
0/16,000	2200	-0.1/0	30"Hg
0/25,000	3500	Compound	
0/40,000	5500	-0.1/0/0.15	30"Hg/20
0/60,000	8500	-0.1/0/0.3	30"Hg/40
0/100,000	14,000	-0.1/0/0.5	30"Hg/70
0/160,00	22,000	-0.1/0/0.9	30"Hg/125
Vacuum	Outer Scale	-0.1/0/1.5	30"Hg/215
-100/0	30"Hg	-0.1/0/2.4	30"Hg/340
Compound			
-100/0/150	30"Hg/20		
-100/0/300	30"Hg/40		
-100/0/500	30"Hg/70		
-100/0/900	30"Hg/125		
-100/0/1500	30"Hg/215		
-100/0/2400	30"Hg/340		

Type 1259 Process Pressure Gauge



Bourdon System Selection					
Ordering Code	Bourdon Tube & Tip Material (all joints TIG welded except "A")	Socket Material	Tube Type	Range Selection Limits (psi)	NPT Conn. ⁽²⁾
S	316L stainless steel	316 stainless steel	C-Tube	12/1500	1/4, 1/2
			Helical	2000/20,000	1/4, 1/2
P ⁽³⁾	K Monel	Monel 400	C-Tube	15/1500	1/4, 1/2
			Helical	2000/30,000	1/4, 1/2

NOTES:

(2) Other connections available on application.

(3) See Ashcroft product information page ASH/PI60 for compliance to NACE.

HOW TO ORDER:

Dial Size: 4 1/2" _____ 45

Case Type Number: 1259 _____ 1259

Bourdon tube and socket _____ SD

Connection: 1/4 NPT (02), 1/2 NPT (04), Lower (L) _____ 04L

Optional Features: _____ XXX

Standard Pressure Range _____ 1000#