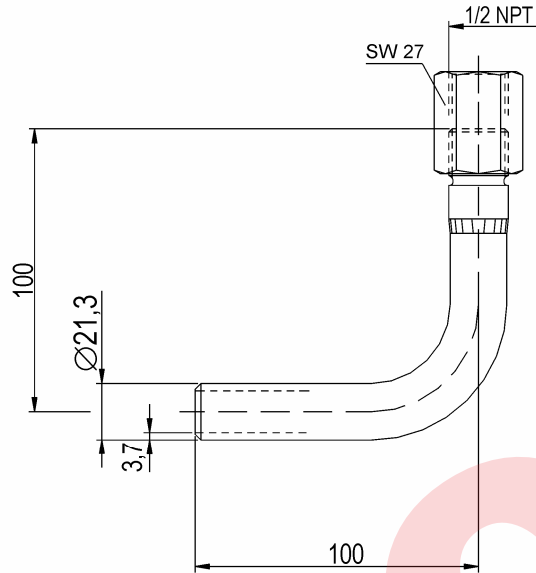


Heavy duty pipe connectors

Elbow 90°



Connection thread d	Material	Part no.
G 1/2	Stl. st.	51-PC01-SS-EL-S
½ NPT		50-PC01-SS-EL-S

Components	Stainless steel
	DIN-Material Number
Tube 21,3 x 3,7 mm	316L (1.4401)
Adjusting nut	similar to DIN 16 283

- NPT version with welded instrument connection only
- Range of application:
For liquids, gas or steam