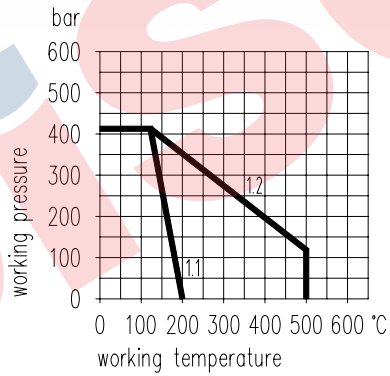
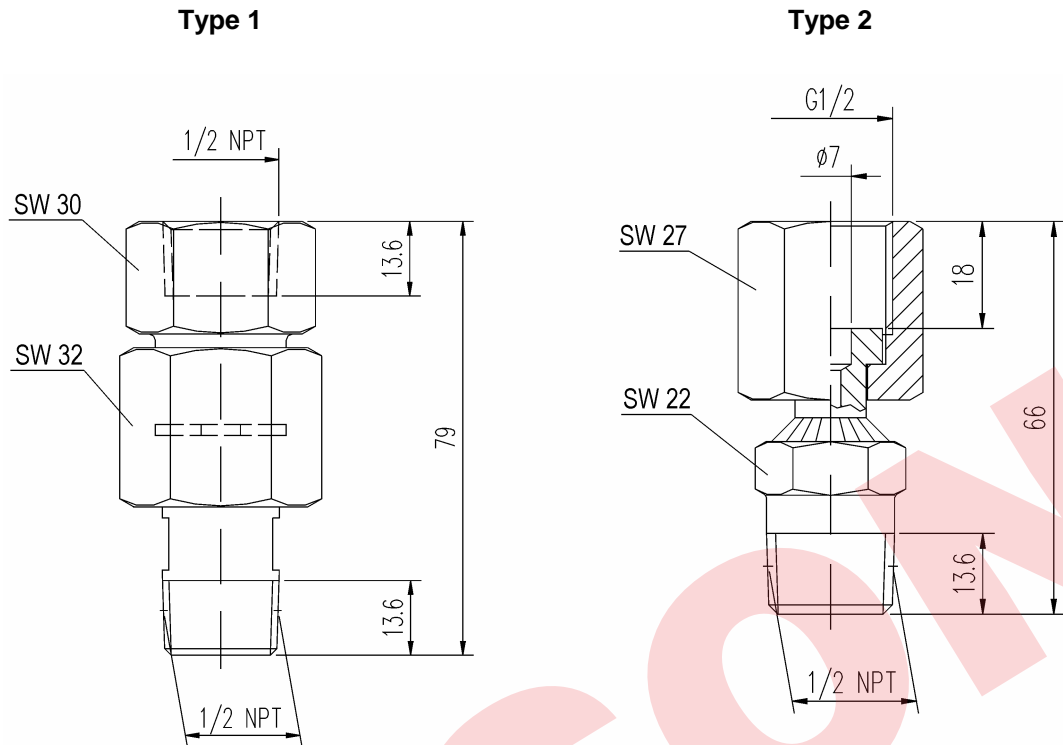


Swivel gauge adapter



Type	Material			Part no.
	Components	Seal ring	Curve	
1	316Ti (1.4571)	PTFE	1.1	04-MDV02-SS-T-50
		316Ti (1.4571)	1.2	04-MDV02-SS-SS-50
2		-		04-MDV02-SS-51

- The swivel gauge adaptor enables the easy positioning of the gauge in any direction through 360°.