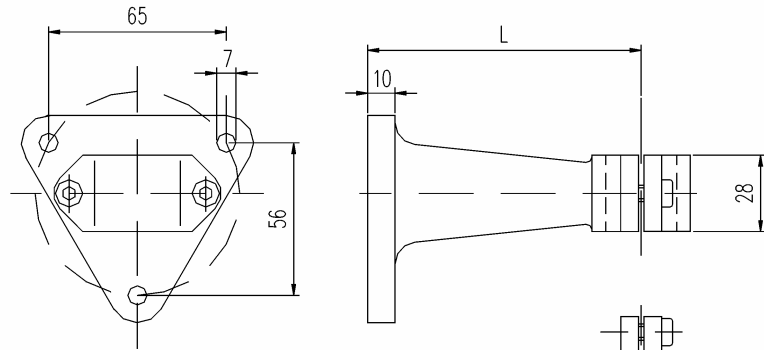


Pressure gauge support DIN 16 281

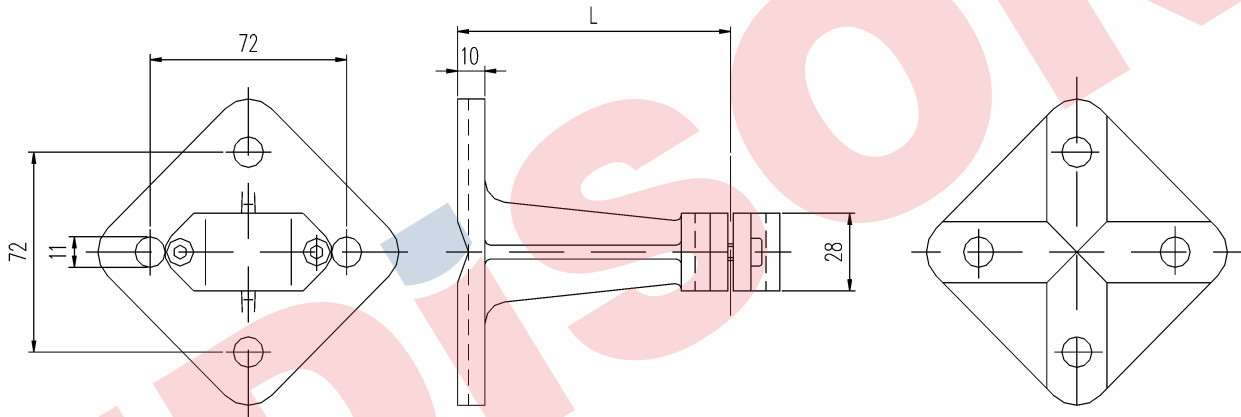
Form H

wall mounting type



Form A

for mounting to 2" NB pipes wall or racks



Accessory kit for mounting to 2" NB pipes see catalogue page 8.06.

L	Type	Material	Surface	Part no.
	Design			
60 100 160	H	aluminum	black lacquered	PGS-H-H-60 PGS-H-H-100 PGS-H-H-160
100	H	stainless steel		PGS-H-SS-100
100	A	malleable cast iron	galvanized and primed	PGS-A-B-100

Components	Design H		Design A
	Material		
	Aluminum	Stainless steel	Malleable cast iron
Pressure gauge support	aluminum	sheet construction made of 316Ti (1.4571)	malleable cast iron
Bolts	steel galv.	316Ti (1.4571)	-
Bolts with hexagon socket hex. 5	-		steel galv.

- Screws for wall mounting are not included in the scope of supply.