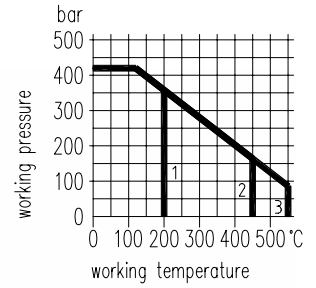
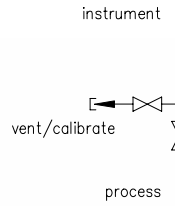
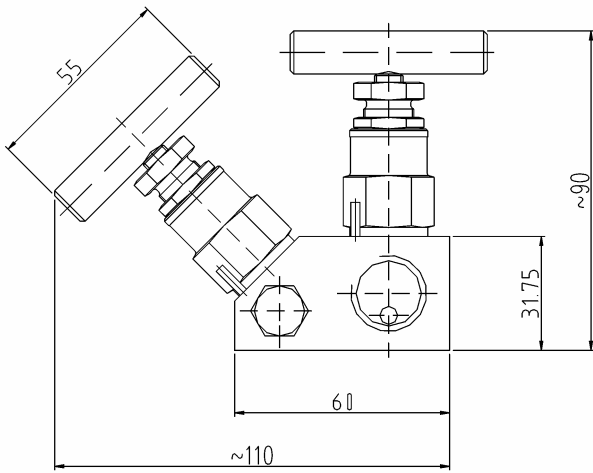
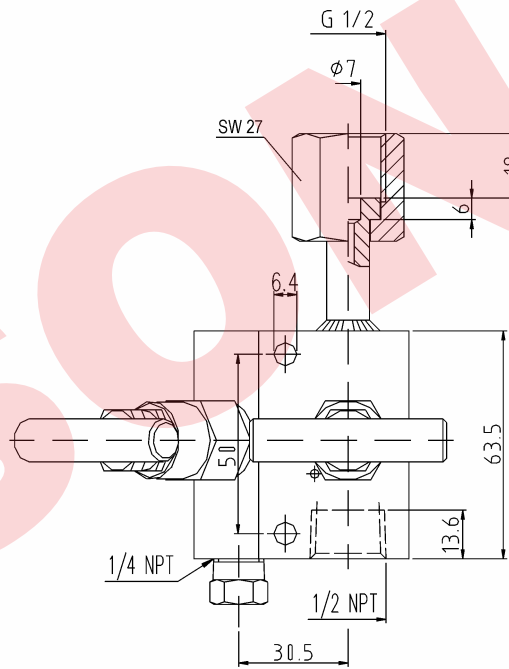
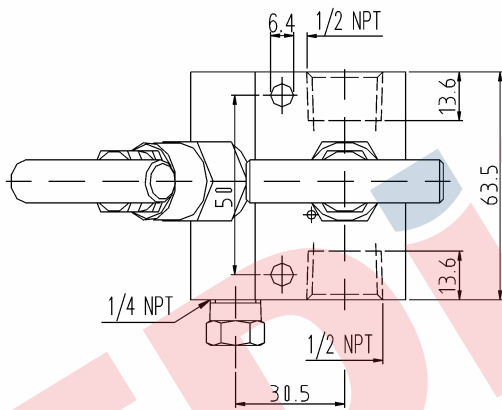


2 valve manifold PN 420 DN 5 for pressure instruments with 1/2 NPT and G 1/2 male



- 1 PTFE packing
- 2 graphite packing - 1.0460
- 3 graphite packing - 1.4404



MOUNTING ACCESSORIES see section 8 and 10

Material	Connections			Part no.
	Inlet	Outlet	Vent/calibration connection	
steel st. stl.	1/2 NPT female		1/4 NPT female with screw plug	50-V02-2X-SC-50-PN420 50-V02-2X-SS-50-PN420
steel st. stl.	1/2 NPT female	swivel nut G 1/2		50-V02-2X-SC-51-PN420 50-V02-2X-SS-51-PN420

Components	Steel	Stainless steel ¹⁾
	DIN-Material Number	
Body ²⁾	1.0460	316L (1.4404)
Bonnet	316 (1.4401)	
Valve stem	316L (1.4404)	
Needle tip ³⁾	1.4122 ⁴⁾	316Ti (1.4571)
Packing	PTFE up to 200 °C (graphite up to 550 °C)	
Gland nut	1.0501	316Ti (1.4301)
T-handle	stainless steel	
Screw plug	1.0501	316L (1.4404)

- Surface: steel phosphatized
- External stem thread
- Stem with cold rolled surface, back seat and non-rotating needle tip
- Special types are available
- The manifolds can be supplied according to NACE-standard

¹⁾ Can also be supplied for oxygen service. Please notice order instruction B 3!
²⁾ Available with inspection certificate 3.1.B acc. to EN 10 204
³⁾ Also available with soft tip in KEL-F® (PCTFE) or Delrin® (POM)
⁴⁾ 1.4122 quenched and tempered

All specifications are subject to change without notice.