

Model A4 Intrinsically Safe and Non-Incendive Pressure Transmitter



APPLICATIONS:

Oil field equipment, upstream oil and gas production, natural gas compression and transfer control, alternative energy projects

FEATURES:

- FM and CSA listings
- Choice of 0.25, 0.50 or 1.0% accuracy
- Pressure ranges from 5 psi through 10,000 psi
- CE mark
- 316L SS wetted materials, 17-4 PH optional
- 304 SS case in standard, welded or explosion proof construction
- Optional absolute pressure ranges available
- Zero and span access (Basic Enclosure)

The Ashcroft® A4 pressure transmitter is ideal for a broad spectrum of pressure sensing requirements where Intrinsically Safe or Non-Incendive hazardous location ratings are required.

The Ashcroft® A4 is designed and manufactured to provide the user with accurate, reliable, and stable output data. This is accomplished through the use of an on board microprocessor, that is programmed during a unique digital compensation process, to provide extremely linear and precise performance over the entire specified pressure and temperature range.

PERFORMANCE SPECIFICATIONS

Reference temperature 70°F (21°C)
Accuracy, Three Classes (% Span): ±.25 ±.5 ±1.0
 Includes non-linearity (Terminal Point Method), hysteresis, non-repeatability, zero offset and span setting errors
Best Fit Straight Line* (BFSL): ±.20 ±.40 ±.50
 Includes non-linearity hysteresis, non-repeatability errors
 *Add ±.05% for ranges above 5000 psi
Stability:
 Sensor Material 316L SS: ±0.1% Span/year
 Sensor Material 17-4PH: <±0.5% Span/year
Durability: Greater than 10 million cycles

ENVIRONMENTAL SPECIFICATIONS

Temperature Limits:
 Storage: -40 to +125°C (-40 to 257°F)
 Process: -40 to +125°C (-40 to 257°F)
 Operating: -40 to +125°C (-40 to 257°F)
 Compensated*: -20 to +85°C (-4 to 185°F)
 *Consult factory for other options

Temperature Effects: -20 to +85°C (-4 to 185°F)
 • 1.0% of Span for .25% Accuracy Class
 • 2.0% of Span for .50% and 1.0% Accuracy Classes
Humidity Effects: No performance effects from 0 to 95% relative humidity, non-condensing, 0-100% RH with "W" enclosure.
 *Consult factory

FUNCTIONAL SPECIFICATIONS

Response Time: <2ms
Pressure Ranges: Vacuum, gauge, compound and absolute pressure from 0-5 psi through 0-10,000. Equivalent ranges in bar available. See order guide section (reverse).
Vibration Effect:
 Shock: 100g Peak, 11ms
 Random: 10g RMS, 20-2000Hz
 Sweep: 50-2000Hz, 5g peak
Position Effect: ±0.02% Typical
CE Mark (standard): EN 61326:1997 + A1: 1998 Annex A Heavy Industrial Immunity (Annex A, Table A.1) Light Industrial/Residential Emission (Table 4)
Overpressure (F.S.):

	Proof	Burst
0#/vac. to 2000 psi	2 x F.S.	min. 3 x F.S.
3000-5000 psi	1.5 x F.S.	min. 3 x F.S.
7500-10,000 psi	1.2 x F.S.	1.5 x F.S.

ELECTRICAL SPECIFICATIONS

Output Signal:

	Supply Voltage: (unregulated)	
	Minimum	Maximum
4-20mA* (2 Wire)	12Vdc	30Vdc

*For Intrinsically Safe see entity parameters for supply voltage and load limits. Refer to Ashcroft Drawing #825A022

Power Requirements:

See load chart page 2

Electrical Terminations: See To Order section (reverse.) for options

Circuit Protection: Reverse polarity and mis-wire protected
Insulation Resistance (Circuit to Case): 100Mohm @ 30Vdc

PHYSICAL SPECIFICATIONS

Case: Material 304SS

Wetted Materials: 316L SS diaphragm and pressure port (piezoresistive MEMS sensor with silicone oil fill), Optional 17-4PH SS diaphragm and 316L SS pressure port (see How to Order Section).

Ingress Protection Rating:

Enclosure	Code	Rating
Basic	(S)	IP65, NEMA 4X
All Welded (w/o Z/S)	(W)	IP67, NEMA 6

HAZARDOUS AREA CERTIFICATIONS

Intrinsically Safe – FM/CSA:

Intrinsic Safety: Class I, II and III Div.1 and 2, Groups A, B, C, D, F and G per entity requirements see Ashcroft drawing # 825A022

Non-Incendive: Class I, II and III Div.1 and 2, Groups A, B, C, D, F and G, no barriers needed

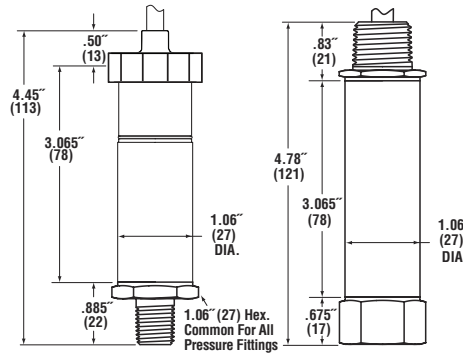
NOTE:

Refer to Ashcroft Model A2 for Heavy Industrial, non-hazardous rated configurations and Ashcroft Model A2X for Explosion/Flame Proof applications.

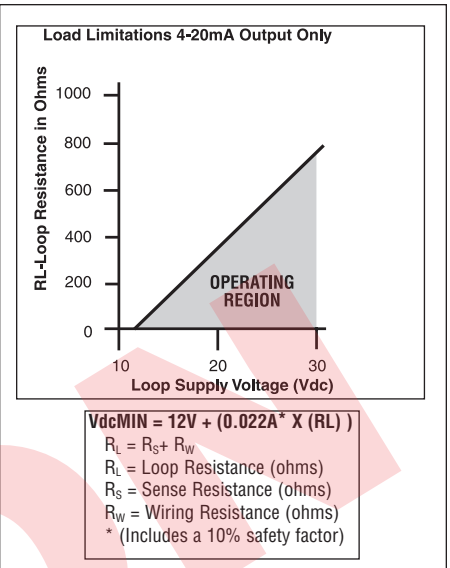


Model A4 Intrinsically Safe and Non-Incendive Rated Pressure Transmitter

DIMENSIONS dimensions in () are mm



INTRINSICALLY SAFE (ENCLOSURE S, W)



NOTE:

Refer to Ashcroft Model A2 for Heavy Industrial, non-hazardous rated configurations and Ashcroft Model A2X for Explosion / Flame Proof applications.

How To Order

A 4								X
Type Configuration (A4)	Accuracy / Temp. Effect (A) 0.25% ≤ 0.5% (-20°C to +85°C) (B) 0.50% ≤ 1.0% (-20°C to +85°C) (C) 1.00% ≤ 1.0% (-20°C to +85°C)		Output Signal (42) 4-20mA		Electrical Termination Integral Cable (Pigtail) (F2) 3' shielded cable ⁽¹⁾ (P1) (specify length) ⁽¹⁾ Hirschmann Style Form A DIN 43650-A (DN) w/o mating conn. ⁽¹⁾ (D0) with mate, no cable ⁽¹⁾ (D2) with mate, 3' cable ⁽¹⁾ (D1) with mate, (specify length) ⁽¹⁾ 4-Pin Bendix Style (B4) w/o mating conn. ⁽²⁾ (H1) with mate, no cable ⁽²⁾ (L1) with mate, 3' cable ⁽²⁾ (P2) with mate, (specify length) ⁽²⁾ ½ NPT-M Conduit (C1) 3' shielded cable ⁽³⁾ (P7) (specify length) ⁽³⁾ ½ NPT-M Conduit (C2) 3' flying leads ⁽³⁾ (C4) 15' flying leads ⁽³⁾ M12 Threaded (EW) w/o mating conn. ⁽¹⁾ (E0) with mate, no cable ⁽¹⁾ (E2) with mate, 3' cable ⁽¹⁾ (E1) with mate, (specify length) ⁽¹⁾	Pressure Range (5#) 5 psi (1000#) 1000 psi (10#) 10 psi (2000#) 2000 psi (15#) 15 psi (3000#) 3000 psi (30#) 30 psi (5000#) 5000 psi (60#) 60 psi (7500#) 7500 psi (100#) 100 psi (10,000#) 10,000 psi* (150#) 150 psi (0# & vac.) 0 psi/vac. (200#) 200 psi (15# & vac.) Vac./15 psi (300#) 300 psi (30# & vac.) Vac./30 psi (500#) 500 psi (45# & vac.) Vac./45 psi (750#) 750 psi (60# & vac.) Vac./60 psi *17-4PH SS Sensor Required	Measurement Type (G) Gauge Pressure Sensor (A) Absolute Pressure Sensor	Optional X-Variations (XCL) Non-standard** calibration (XK8) 17-4PH SS Sensor Material (X6B) Cleaned For Oxygen Service
Enclosure (S) Basic (W) Welded w/out Zero & Span Access (See electrical termination coding for available selections)	Pressure Connection (M01) ½ NPT-M (F04) ½ NPT-F (M02) ¼ NPT-M (MG4) G ½ M (F02) ¼ NPT-F (VM2) VCR inlet fitting (MEK) ½-20 SAE-M ¼" VCR gland with ½-18 male nut (F09) ¾-18 (¼)-F (VF2) VCR inlet fitting (Aminco) ¼" VCR gland with ½-18 female nut (M04) ½ NPT-M (others available upon request)							

NOTE: All A4 pressure transmitters include a 9 pt. NIST traceable calibration certificate

⁽¹⁾ Available with enclosure code (S)
⁽²⁾ Available with enclosure code (S, W)
⁽³⁾ Available with enclosure code (W)

**Minimum 10 pieces for non-standard pressure ranges.