

Industrial stainless steel case gauges with stainless steel system, Model 1008

According ASME B40.1 and EN 837-1
Nominal size 63 mm and 100 mm
Accuracy: Class 1,6 (EN)

Features

- Patented *PowerFlex™* movement
- Rugged all welded construction
- Protection IP54 (vented) or IP65
- Overload protection 130 %
- Dry, liquid filled or liquid less (*PLUS!* Gauge)
- Measuring system stainless steel
- True Zero™ pointer indication
- MSL Helium leak tested
- RoHS compliant

Ranges

-1 ... 0 bar up to 0 ... 1000 bar
-30 in. Hg ... 0 psi up to 0 ... 15.000 psi

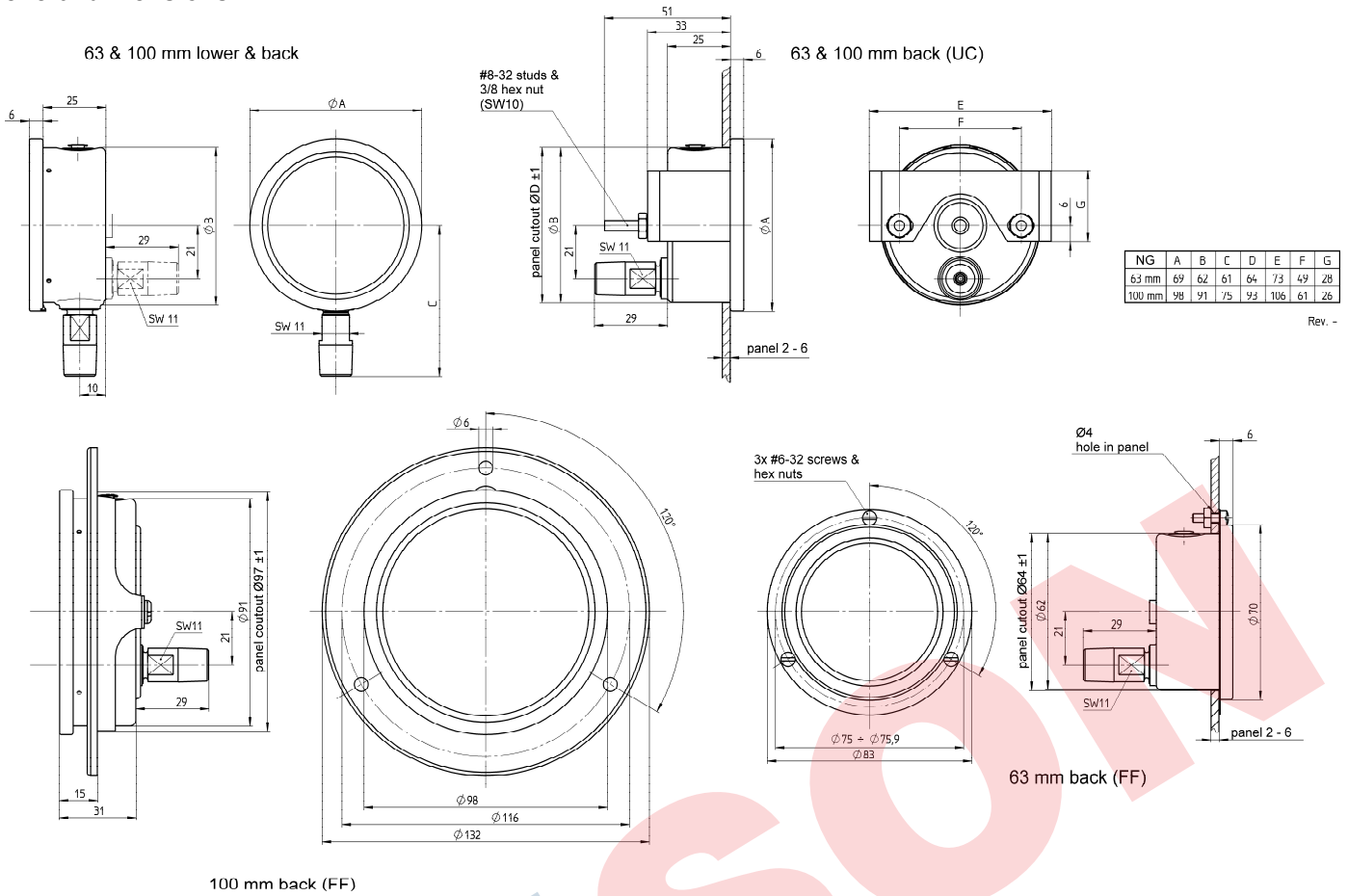
Applications

Chemical and petrochemical industry
Machine and apparatus construction
Food and beverage industry
Pulp and paper industry



Technical specification	1008	
Dial size in mm	63	100
Design standard	EN 837-1 or ASME B40.1	ASME B40.1
Construction	Open front with crimped ring	
Measuring principle	Bourdon tube C-shaped (vacuum up to 40 bar) or helical design (60 bar and up) with spring suspended <i>PowerFlex™</i> movement	
Range in bar	1 1,6 2,5 4 6 10 16 25 40 60 100 160 250 400 600 1000	
Overpressure limit	-1/0 -1/0,6 -1/1,5 -1/3 -1/5 -1/9	
Pressure type	130 % F.S., short time Gauge, vacuum and compound	
Process connection	1/4 NPT male, 1/8 NPT male according ANSI/ASME B1.20.1 G 1/4 B male, 1/4 male straight or tapered JIS, BSP	
Connection location	Lower, lower back, top connection and connection at 3 or 9 o'clock on request	
Material	Stainless steel 316 (1.4404) Stainless steel 316 (1.4404) Stainless steel 304 (1.4301) Polycarbonate Aluminum, black markings on white background Aluminum, black, friction adjustable Stainless steel series 300, <i>PowerFlex™</i> , polyester segment, overload/underload stops	
Accuracy	Class 1,6 according to EN 837-1	
Permissible	-40 ... 90 °C, liquid filled with glycerin -5 ... 65 °C, liquid filled with silicone -40 ... 65 °C Max. 120 °C -40 ... 65 °C Max. 0,3 % / 10 K	
Protection according EN 60 529/IEC 529	IP54 (plug vented), IP65 (plug sealed)	
Filling liquids	Glycerin, silicone, halocarbon, others on request Optional dampened movement (liquid less gauge), functions as liquid filled gauge (<i>PLUS!</i> gauge)	
Mounting	Standard stem, optional flush with U-clamp or front flange	
Weight dry/filled in kg	0,11/0,21	0,18/0,42
Accessories, options	Diaphragm seals, valves, receiver ranges, refrigerant ranges, customer dials	

General dimensions in mm



Order information

Size	System material	Execution	Process connection	Connection orientation	Range	Engineering units	Filling liquid	Options
(63) 63 mm	(S) 316 (1.4404)	(=) Standard IP65 (plug sealed)	(01) 1/8 NPT male	(L) Lower	-1/ 0	(BAR)	(=) standard no filling	(NH) Tagging wired
			(02) 1/4 NPT male	(B) Back	-1/ 1,5			
(100) 100 mm	(S) 316 (1.4404)	(L) Liquid filled IP65	(04) 1/2 NPT male (only for dial size 100 mm, lower)		-1/ 3		(GV) Silicone	(TU) Throttle plug
			(04) 1/2 NPT male (only for dial size 100 mm, lower)		-1/ 5		(GR) Glycerin	(DA) Dial marking
			(04) 1/2 NPT male (only for dial size 100 mm, lower)		-1/ 9		(GX) Halocarbon	(6B) Oxygen cleaned
			(13) G 1/4 B male		0/ 1			(UC) U-clamp
			(KA) 1/4 male tapered JIS/BSP		0/ 1,6			(RF) Retrofit flange + U-clamp
			(KA) 1/4 male tapered JIS/BSP		0/ 2,5			(FF) Front flange
			(KA) 1/4 male tapered JIS/BSP		0/ 4			(LJ) Field fillable
			(KA) 1/4 male tapered JIS/BSP		0/ 6			(LL) Liquid less gauges (Halocarbon filling not allowed)
			(KA) 1/4 male tapered JIS/BSP		0/ 10			
			(KA) 1/4 male tapered JIS/BSP		0/ 16			
(KJ) 1/4 male straight JIS/BSP		0/ 25						
		0/ 40						
		0/ 60						
		0/ 100						
		0/ 160						
		0/ 250						
		0/ 400						
		0/ 600						
		0/ 1000						
						psi and others on request		

Order example

Size	Type	System material	Execution	Process connection	Connection orientation	Range	Engineering unit	Filling liquid	Option
63	1008	S	=	02	L	0/16	BAR	=	NH

Ashcroft Instruments GmbH

Germany
Max-Planck-Str. 1, D-52499 Baesweiler
P.O. Box 11 20, D-52490 Baesweiler
Tel.: +49 (0) 2401 808-0, Fax: +49 (0) 2401 808-125

France
„206“ ZA du Mandinet, 1/3 Rue des Campanules
F-77185 Lognes
Tel.: +33 (0) 1 60 37 25 30, Fax: +33 (0) 1 60 37 25 39

Website: www.ashcroft.eu

United Kingdom
Unit 5 William James House
Cowley Road, Cambridge CB4 0WX
Tel.: +44 (0) 12 23 39 55 00, Fax: +44 (0) 12 23 39 55 01

e-Mail: sales@ashcroft.com