

## Pressure switch series FP

Compact adjustable, for hazardous locations  
 Ex-proof according UL or CSA  
 Accuracy:  $\pm 1\%$

### Features

- Hermetically sealed snap action switch element
- Class 1, Div. 1, Gr. A, B, C and D according UL
- Protection IP66
- Wetted parts available in several materials
- High proof pressure

### Ranges

-1/0 bar up to 280 bar  
 -30 in. Hg up to 4000 psi

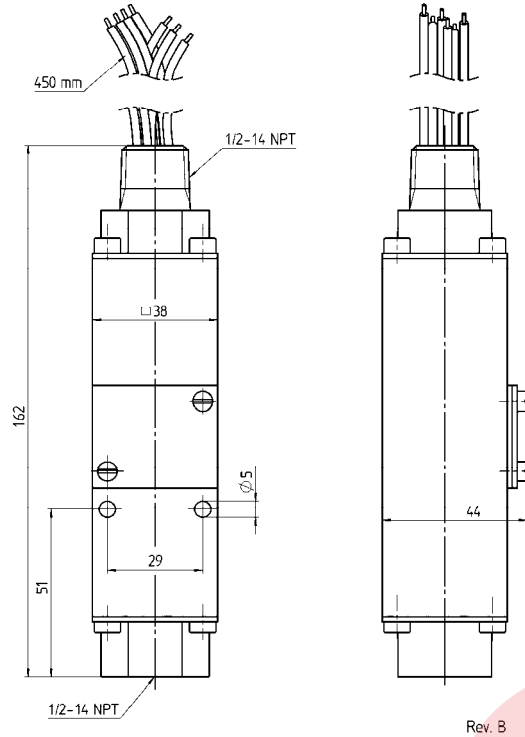
### Applications

Chemical and petrochemical industry  
 Machine and apparatus construction  
 Food and beverage industry  
 Offshore and pipelines



Technical specification	F Series
Construction	Weatherproof, Ex-proof according UL, CSA on request
Switch functions	One setpoint, single pole double throw (SPDT), or double pole double throw (DPDT)
Adjustable range	From 15 % to 100 %, below 15 % consult factory
Deadband	From 1,0 % to 15 % F.S., depending on material, range and microswitch
Measuring principle	Diaphragm-sealed piston-cylinder-system
Range in bar	2    4    7    14    28    42    70    140 <sup>1)</sup> 210 <sup>1)</sup> 280 <sup>1)</sup> -1/0
Limits (pressure ranges)	vacuum to 14 bar    28 bar    42 bar    70 bar    70 to 210 bar <sup>1)</sup> 280 bar <sup>1)</sup>
Proof pressure in bar	70    110    165    275    827    1100
	<sup>1)</sup> with Viton O-ring sealed piston actuator
Pressure type	Gauge and vacuum
Process connection	½ NPT female, ¼ NPT female, other available with adapter
Connection location	Lower
Material	
Pressure connection	Stainless steel 316 (1.4401)
Diaphragm	Buna N, Viton, Teflon, stainless steel 316 (1.4401) with O-ring, stainless steel 316 (1.4401) welded, stainless steel piston actuator with Viton O-ring
Housing	Aluminum, anodized
Accuracy	1,0 % F.S.
<b>Electrical specification</b>	
Microswitch ratings	From 1 A 125 VAC up to 11 A 250 VAC (see microswitch table)
Ex-proof	Class 1, Div. 1, Gr. A, B, C and D, Class 2, Div. 1, Gr. E, F and G
Electrical connection	½ NPT male conduit with wire leads # 18AWG insulated-18"
<b>General specification</b>	
Permissible	
Ambient temperature	-29 ... 65 °C
Medium temperature	Buna N, Teflon and stainless steel with O-ring -18 ... 65 °C, Viton -7 ... 93 °C, Stainless steel welded -18 ... 93 °C
Storage temperature	-40 ... 65 °C
Effect	Max. 0,7 % / 10 K ref. 20 °C
Protection according UL	NEMA 7 and 9
Protection according EN 60 529/IEC 529	IP66
CE-mark	Low voltage regulations EN 61 010-1, EN 60 947-1
Mounting	Standard stem, wall
Weight in kg	0,6
Accessories, options	Diaphragm seals, valves, adapters

## General dimensions in mm



## Order information

Type	Body	Switch element	Actuator seal	Process connection	Range	Engineering unit	Electrical connection	Options
(FPS) Single setpoint field adjustable	(N7) Standard anodized aluminum IP66 UL approval NEMA 7 & 9	<b>SPDT</b>	(B) Buna N <sup>1)</sup> (V) Viton <sup>2)</sup> (T) Teflon <sup>1)</sup> (S) 316 (1.4401) welded <sup>3)</sup> (R) Diaphragm 316 (1.4401) with Viton O-ring <sup>1)</sup> (H) Stainless steel actuator with Viton O-ring <sup>2)</sup> (only ≥ 1000 psi)	(25) ¼ NPT female (07) ½ NPT female (15) G ½ A male <sup>1)</sup>	-30/0 <sup>2)</sup> 30 60 100 200 400 600 1000 2000 <sup>1)</sup> 3000 <sup>1)</sup> 4000 <sup>1)</sup>	INHG PSI	(=) Standard ½ NPT male conduit with wire leads # 18 AWG insulated-18"  (K3) Terminal blocks	(NH) Tagging wired (FS) Factory adjusted setpoint (6B) Oxygen cleaned (not for actuator or seal B and H) (FP) Fungus proofing (MD) Metric ranges
		<b>DPDT</b>						
			<sup>1)</sup> max. medium temperature -18 ... 65 °C <sup>2)</sup> max. medium temperature -7 ... 93 °C <sup>3)</sup> max. medium temperature -18 ... 93 °C	<sup>1)</sup> with adapter	the range can also be specified in bar			

## Order example

Type	Body	Switch element	Actuator seal	Process connection	Range	Engineering unit	Electrical connection	Option
FPS	N7	LL	S	07	100	PSI	=	NH

## Ashcroft Instruments GmbH

Germany  
Max-Planck-Str. 1, D-52499 Baesweiler  
P.O. Box 11 20, D-52490 Baesweiler  
Tel.: +49 (0) 2401 808-0, Fax: +49 (0) 2401 808-125

France  
„206“ ZA du Mandinet, 1/3 Rue des Campanules  
F-77185 Lognes  
Tel.: +33 (0) 1 60 37 25 30, Fax: +33 (0) 1 60 37 25 39

Website: [www.ashcroft.eu](http://www.ashcroft.eu)

e-Mail: [sales@ashcroft.com](mailto:sales@ashcroft.com)

United Kingdom  
Unit 5 William James House  
Cowley Road, Cambridge CB4 0WX  
Tel.: +44 (0) 12 23 39 55 00, Fax: +44 (0) 12 23 39 55 01