

Model GC55 Wet/Wet Differential Pressure Transducer



Two sensor DP design means three measurement variables in one device. Output, display and switch settings can be set in nearly ANY independent configuration to monitor, high pressure port (P1), low pressure (P2), differential (P1-P2).

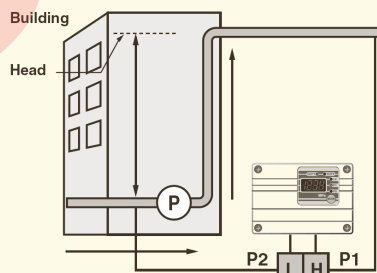
FEATURES:

- Robust aluminum die cast housing
- Bright LED display of pressure and switch status
- All stainless steel wetted parts
- 4-20 mA or 1-5 VDC outputs
- Internal "Push-Button" configurability allows quick user pressure range changes or relay adjustments
- External "Push-Button" allows user to display P1, P2 or DP without opening cover
- Two sensor design well suited for high DP ranges

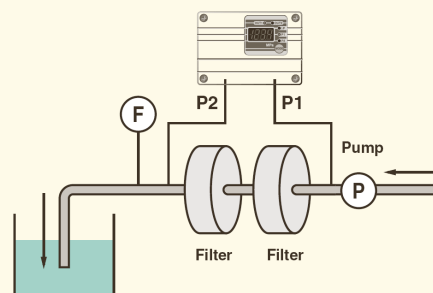
APPLICATIONS

The GC55 utilizes two polysilicon thin film sensors to achieve a wet-wet, high differential, pressure measurement. Fully welded assembly of all stainless steel with high overpressure capability makes the GC55 ideal for fluid pump systems in applications such as:

- Level measurement in large size and/or pressurized tanks
- Pump monitoring of building hydronic heating and cooling systems



- Filter monitoring in water purification or hydraulic systems



PERFORMANCE SPECIFICATIONS

Analog Output (4-20 mA or 1-5 VDC):

Accuracy: $\pm 0,5\%$ F.S.
 (Accuracy includes the effects of linearity, hysteresis and repeatability)
 Response time: ≤ 20 ms
 Output resolution: $0,2\%$ F.S.

Pressure Switch Output:

Type: TTL/CMOS up to 40 VDC/200 mA
 Setting accuracy: $\pm 1,0\%$ F.S.
 Number of contacts: 2
 Response time: $0,02 \dots 2$ s (by user)
 Hysteresis: variable (by user)

Display:

Type: $3 \frac{1}{2}$ digits LCD
 Accuracy: $\pm 1,0\%$ FS

Standard Ranges (Differential):

0 ... 75, 100, 150, 250, 300 psi
 (0 ... 5, 7, 10, 17, 20 bar)

ENVIRONMENTAL SPECIFICATIONS

Temperature Limits:

Operating temperature: $-10 \dots 50$ °C
 Storage temperature: $-20 \dots 60$ °C
 Compensated temperature: $-10 \dots 50$ °C

Temperature Effects:

$\pm 0,05\%$ / 1 K from $-10 \dots 50$ °C (Ref. 23 °C)

FUNCTIONAL SPECIFICATIONS

Static (Line) Pressure:

Pressure Range	Proof	Burst
All	2x F.S. (URL)	10x F.S.

Static (Line) Pressure Effects: None

Single Side (Differential) Limits:

Pressure Range	Proof	Burst
All	2x F.S. (URL)	10x F.S.

ELECTRICAL SPECIFICATIONS

Transducer	Supply Voltage	Supply Current
4 ... 20 mA, 3 wire	15-27 VDC	80 mA
1 ... 5 VDC, 3 wire	11-27 VDC	60 mA

Switch Contacts: 2 Photo-MOS relay outputs, load max. 200 mA / 40 VDC, Hysteresis variable

Rangeability/Adjustment*:

zero $-105\% \dots 105\%$ F.S.
 span $-105\% \dots 105\%$ F.S.

* Note: Accuracy based upon full scale (URL) value

MECHANICAL SPECIFICATIONS

Process Connection: 1/8 NPT female (2)

Enclosure:

Aluminum, Epoxy coated

Rating acc. to IEC 529: IP64

Electrical Connection:

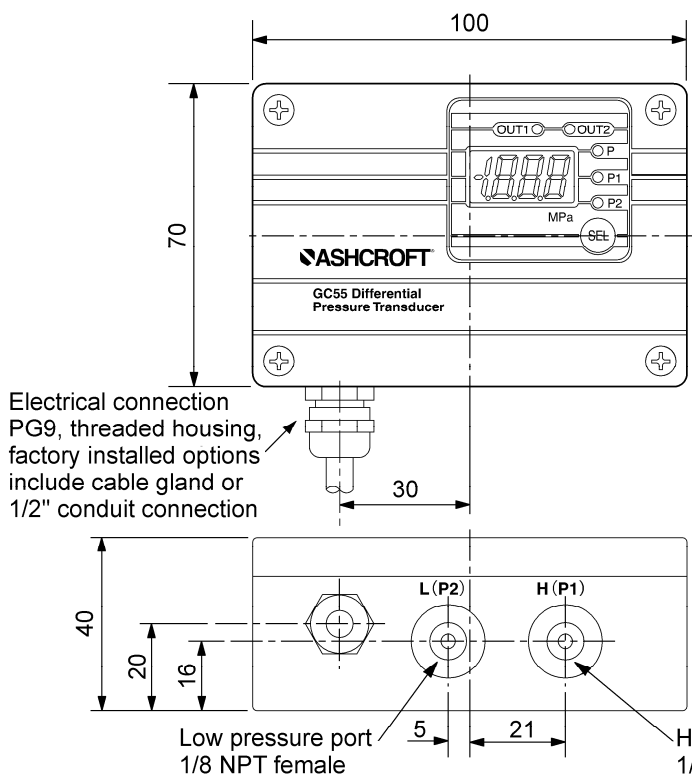
- 1/2 NPT female conduit
 - cable gland $\varnothing 9 \dots 12$ mm

Weight: 0,45 kg

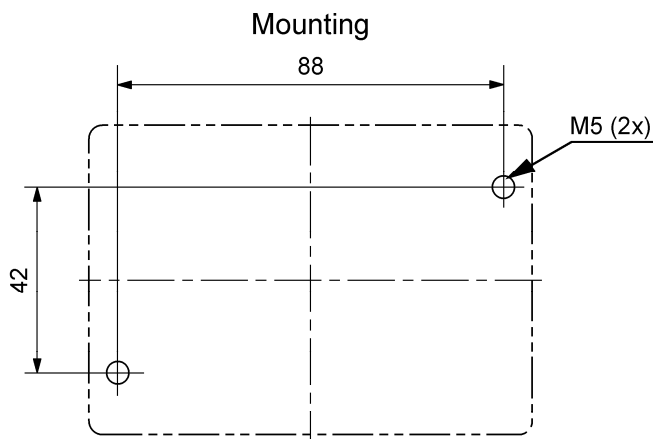
Mounting: (2) 5,2 mm mounting holes (see installation drawings on back page)

Media: Fluids and gases compatible with stainless steel 1.4404/304 (sensor housing) and 1.4542/17-4PH (sensor diaphragm).

General dimensions in mm

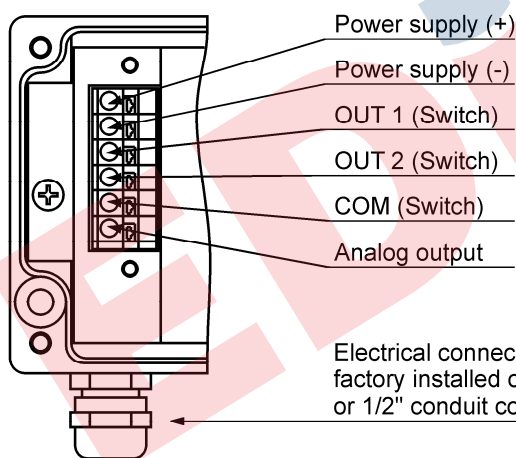


Electrical connection
PG9, threaded housing,
factory installed options
include cable gland or
1/2" conduit connection



Note:
2 mounting holes through back of
enclosure, accessible with cover
removed

Electrical connection



Electrical connection PG 9, threaded housing,
factory installed options include cable gland
or 1/2" conduit connection

Rev. A

Order information

Type	Accuracy	Process connection	Output signal	Electrical connection	Range	Eng. unit	Options
GC55	(7) 0,5 %	(F01) 1/8 NPT female	(15) 1-5 VDC (42) 4-20 mA	(CG) Cable gland (CD) 1/2" MNPT conduit	75 100 150 250 300	PSI	(NH) Tagging wired (RH) 9 point NIST traceable calibration certificate bar and others to be set by firmware

Order example

Type	Accuracy	Process connection	Output signal	Electrical connection	Range	Engineering unit	Options
GC55	7	F01	42	CG	100	PSI	NH

Ashcroft Instruments GmbH

Germany
Max-Planck-Str. 1, D-52499 Baesweiler
P.O. Box 11 20, D-52490 Baesweiler
Tel.: +49 (0) 2401 808-0, Fax: +49 (0) 2401 808-125

France
„206“ ZA Le Mandinet, 1/3 Rue des Campanules
F-77185 Lognes
Tel.: +33 (0) 1 60 37 25 30, Fax: +33 (0) 1 60 37 25 39

Website: www.ashcroft.eu

United Kingdom
Unit 5 William James House
Cowley Road, Cambridge CB4 0WX
Tel.: +44 (0) 12 23 39 55 00, Fax: +44 (0) 12 23 39 55 01

e-Mail: sales@ashcroft.com