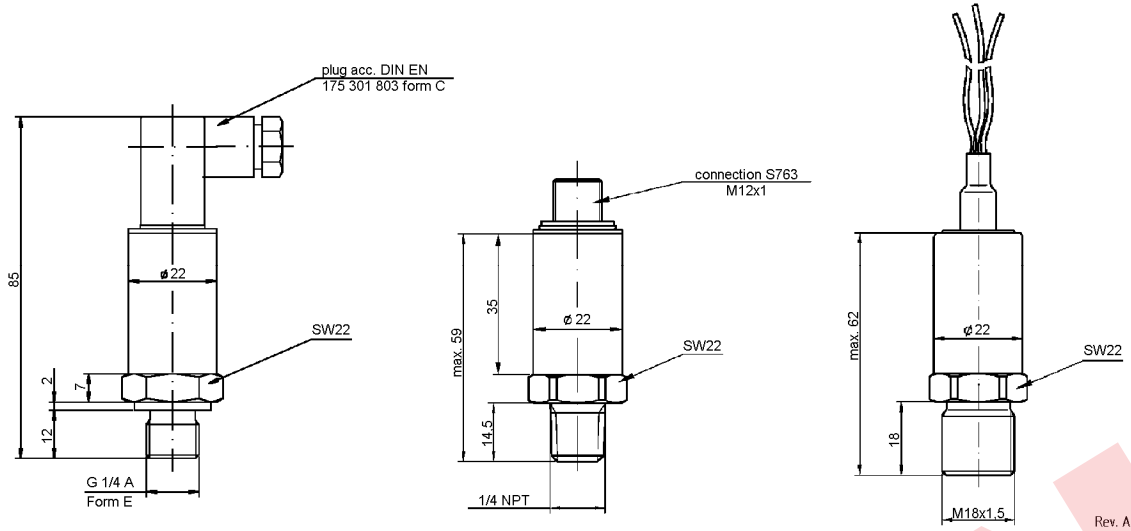
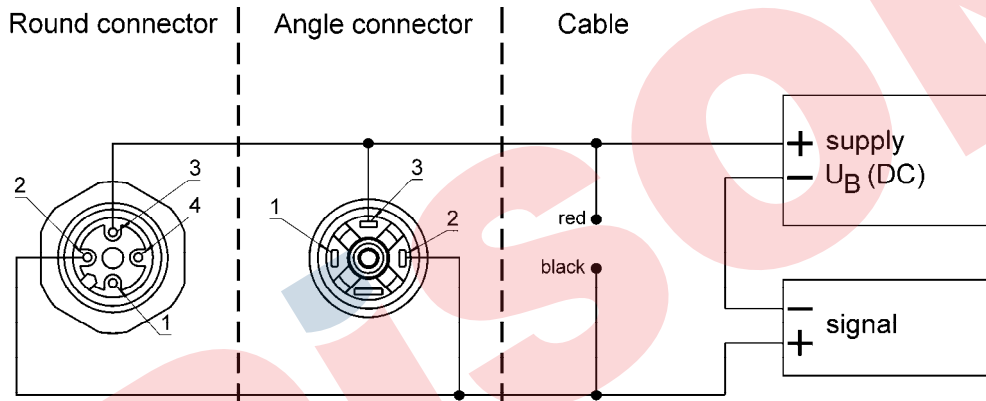


General dimension in mm



Electrical connection



Order information

Output signal	Accuracy	Range	Engineering unit	Protection	Process connection	Electrical connection	Options
(42) 4/20 mA	(100) 1 %	-1/ 0	BAR	(=) IP65	(MG9) G ¼ A form E male ¹⁾	(HM) Angle connector according to DIN EN 175301-803	(NH) Tagging wired
(01) 0/10 VDC	(050) 0,5 %	0/ 0,6		(IP68) IP68 (only with cable connection)	(M02) ¼ NPT male ²⁾	(M12) Round connector M12	
(15) 1/5 VDC		0/ 1,0			(MM18) M18x1,5 male high pressure connection	(F2) Cable connection	
(RM) 0,5/4,5 VDC ratiometric to 5 VDC supply		0/ 1,6		(ATEXG) Intrinsically safe for gas (only output signal 4/20 mA)		Specify cable length in [m]	
		0/ 2,5					
		0/ 4					
		0/ 6					
		0/ 10					
		0/ 16					
		0/ 25					
		0/ 40					
		0/ 60					
		0/ 100					
		0/ 160					
		0/ 250					
		0/ 400					
		0/ 600					
		0/ 1000					
		0/ 1600					
others on request		others on request	psi and others on request		1) max. range 600 bar 2) max. range 1000 bar		
					others on request		

How to order

Series	Type	Output signal	Accuracy	Range	Engineering unit	Protection	Process connection	Electrical connection	Option
K	M11	42	050	0/10	BAR	=	MG9	HM	NH

Ashcroft Instruments GmbH

Germany
Max-Planck-Str. 1, D-52499 Baesweiler
P.O. Box 11 20, D-52490 Baesweiler
Tel.: +49 (0) 2401 808-0, Fax: +49 (0) 2401 808-125

France
„206“ ZA Le Mandinet, 1/3 Rue des Campanules
F-77185 Lognes
Tel.: +33 (0) 1 60 37 25 30, Fax: +33 (0) 1 60 37 25 39

Website: www.ashcroft.eu

United Kingdom
Unit 5 William James House
Cowley Road, Cambridge CB4 0WX
Tel.: +44 (0) 12 23 39 55 00, Fax: +44 (0) 12 23 39 55 01

e-Mail: sales@ashcrofteurope.com