

## Pressure switch series L and G

One or two independent setpoints

Accuracy:  $\pm 1\%$

### Features

- Stainless steel or aluminum housing
- Easy setpoint adjustment, with setpoint indication
- Protection IP66 and IP65 or NEMA 4 and 4X (UL)
- Wetted parts available in several materials
- High proof pressure
- UL and CSA listed

### Ranges

75 mbar up to 210 bar

30 in. H<sub>2</sub>O up to 3000 psi

### Applications

Chemical and petrochemical industry

Machine and apparatus construction

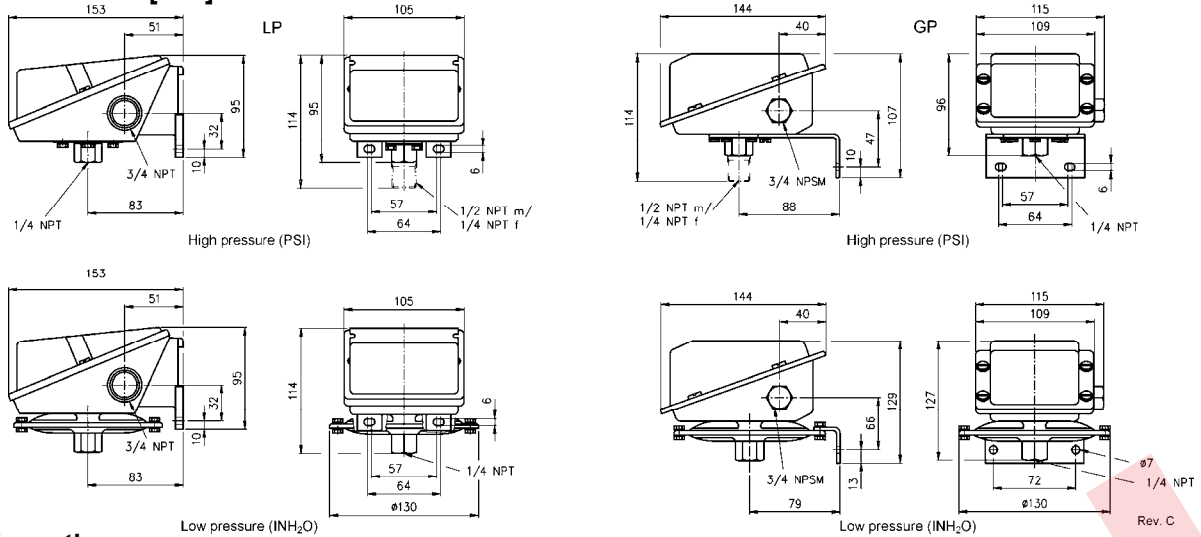
Food and beverage industry

Pulp and paper industry



Technical specification	L series			G series		
	LPA	LPD	LPS	GPA	GPD	GPS
Type	Weatherproof					
Construction	Weatherproof					
Switch (setpoint) functions	One single setpoint	Two setpoints independently adjustable	One single setpoint	One single setpoint	Two setpoints independently adjustable	One single setpoint
Deadband	Adjustable over 80 %	Fixed	Fixed	Adjustable over 80 %	Fixed	Fixed
Measuring principle	Diaphragm-piston-cylinder-system					
Range [mbar]	75	150	250	375		
Range [bar]	1	2	4	7	14	28
Limits (pressure ranges)						
Proof pressure [bar]	1,4	17	35	35	69	165
Burst pressure [bar]	2,4	28	69	103	207	207
Pressure type	Gauge, vacuum and compound					
Process connection	¼ NPT female, ½ NPT male/¼ NPT female (standard for $\geq 70$ bar) ½ NPT female, G ½ B male, M20x1,5, others on request (metric connections with adapter)					
Connection location	Lower					
Material						
Pressure connection	Stainless steel 316 (1.4401), optional Monel					
Diaphragm	For mbar ranges steel epoxy coated standard, stainless steel on request Buna N, Viton (max. 70 bar), Teflon, stainless steel 316 (1.4401) or Monel (stainless steel and Monel only from $\geq 1$ bar to $\leq 70$ bar)					
Housing	Aluminum, epoxy coated grey			Stainless steel 316 (1.4401)		
Accuracy	1 % F.S.					
Electrical specification						
Microswitch ratings	Up to max. 6 A 30 VDC respectively 22 A 250 VAC (see microswitch table)					
Electrical connection	¾ NPT female, optional cable glands, ½ NPT with reducer bushing, M20x1,5, others on request					
General specification						
Permissible						
Ambient temperature	-25 ... 60 °C					
Medium temperature	Buna N and Teflon -18 ... 65 °C, Viton -7 ... 150 °C, Stainless steel and Monel -18 ... 150 °C					
Storage temperature	-40 ... 60 °C					
Effect	Max. 0,4 % / 10 K ref. 20 °C					
Protection according UL	NEMA 4 and 4X					
Protection according EN 60 529/IEC 529	IP66					
CE-mark	Low voltage regulations EN 61 010-1, EN 60 947-1					
Mounting	Standard stem or wall, optional 2" pipe mounting (TM)					
Weight mbar/bar [kg]	1,8/1,4			1,6/1,2		
Accessories, options	Diaphragm seals, valves, adapters, NACE					

## General dimensions [mm]



## Order information

single dual	Switch element Description	Actuator seal	Range	Engineer- ing unit	Protection	Process connection	Electrical connection	Options
	<b>LPA</b> <b>GPA</b>	(B) Buna N <sup>1)</sup>	-30/ 0 -30/ 15	INHG/PSI	(UL) Standard	(25) 1/4 NPT female	(=) Standard	(NH) Tagging wired
(H)	General purpose (10 A 250 VAC, 6 A 30 VDC)	(V) Viton <sup>2)</sup>	30	INH <sub>2</sub> O	(IP) IP66 (for L series) IP65 (for G series)	(06) 1/4 NPT female/ 1/2 NPT male <sup>1)</sup>	(JL) 3/4 to 1/2 NPT female reduc- ing bushing	(FS) Factory adjusted setpoint
(J)	Hermetically sealed (11 A 250 VAC, 5 A 28 VDC)	(T) Teflon <sup>1)</sup>	60 100 150					
	<b>LPS LPD</b> <b>GPS GPD</b>	(S) 316 (1.4401) <sup>3)</sup>	15	PSI		(07) 1/2 NPT female	(JM) 3/4 NPT to M20x1,5 fem- ale reduc- ing bushing	(6B) Oxygen cleaned (not for Buna N diaphragm; in. H <sub>2</sub> O ranges only with option TA)
(C)	Heavy duty AC (22 A 250 VAC)	(P) Monel <sup>3)</sup>	30 60 100 200 400 600 1000 2000 3000			(15) G 1/2 B male <sup>2)</sup>	<b>Only for protection IP</b>	(TM) 2" pipe mounting bracket
(F)	(FF) Sealed environment proof (15 A 250 VAC)					(16) M20x1,5 male <sup>2)</sup>	(KV2) Plastic cable gland IP65, PG11	(TA) 316 (1.4401) pressure connection for in. H <sub>2</sub> O ranges
(G)	(GG) General purpose <sup>1)</sup> (15 A 250 VAC, 6 A 30 VDC)						(KV3) Plastic cable gland IP65, PG13,5	(MD) Metric ranges
(J)	(JJ) Hermetically sealed general purpose <sup>1)</sup> (11 A 250 VAC, 5 A 28 VDC)						(KV4) Plastic cable gland IP65, PG16	(2C) DPDT with single set point adjust- ment (only available with LPS/GPS)
(K)	(KK) Narrow deadband (15 A 250 VAC)						(KV52) Plastic cable gland PG13,5	
(L)	(LL) Hermetically sealed gold contacts (1 A 125 VAC) (for use in intrinsically safe circuits)							
(M)	(MM) Low level (gold) contacts (1 A 125 VAC)							
(P)	(PP) Hermetically sealed, narrow deadband (5 A 250 VAC)	<sup>1)</sup> max. medium temperature -18 ... 65 °C						
(S)	Heavy duty DC (10 A 125 VAC, 10 A 125 VDC)	<sup>2)</sup> max. medium temperature -7 ... 150 °C max. range 1000 psi						
(W)	(WW) Ammonia service (5A 250 VAC, 6 A 30 VDC)	<sup>3)</sup> max. medium temperature -18 ... 150 °C only ranges from 15 to 1000 psi						
(Y)	(YY) High temp. (max. 150 °C) (15 A 250 VAC)							
1) VDC rating not UL listed						<sup>1)</sup> standard for ranges ≥ 1000 psi		
						<sup>2)</sup> with Adapter		

## How to order

Type	Switch element	Actuator seal	Range	Engineering unit	Protection	Process connection	Electrical connection	Option
LPD	GG	B	100	PSI	UL	25	JL	NH

## Ashcroft Instruments GmbH

Germany  
Max-Planck-Str. 1, D-52499 Baesweiler  
P.O. Box 11 20, D-52490 Baesweiler  
Tel.: +49 (0) 2401 808-0, Fax: +49 (0) 2401 808-125

France  
„206“ ZA Le Mandinet Rue des Campanules  
F-77185 Lognes  
Tel.: +33 (0) 1 60 37 25 30, Fax: +33 (0) 1 60 37 25 39

Website: [www.ashcrofteurope.com](http://www.ashcrofteurope.com)

e-Mail: [sales@ashcrofteurope.com](mailto:sales@ashcrofteurope.com)

United Kingdom  
Unit 5 William James House  
Cowley Road, Cambridge CB4 0WX  
Tel.: +44 (0) 12 23 39 55 00, Fax: +44 (0) 12 23 39 55 01