

Temperature switch series L and G

One or two independent setpoints

Accuracy: $\pm 1\%$

Features

- Stainless steel or aluminum housing
- Easy setpoint adjustment, with setpoint indication
- Protection IP66 and IP65 or NEMA 4 and 4X (UL)
- Rigid stem and capillary types up to 15 m
- UL and CSA listed

Ranges

-40/16 °C up to 260/400 °C

-40/60 °F up to 500/750 °F

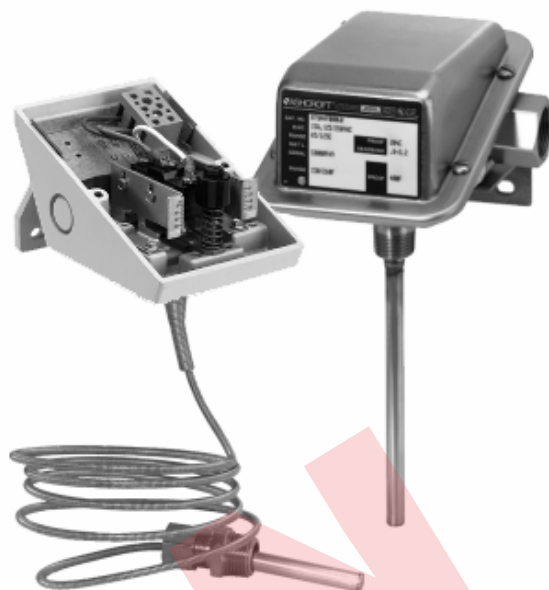
Applications

Chemical and petrochemical industry

Machine and apparatus construction

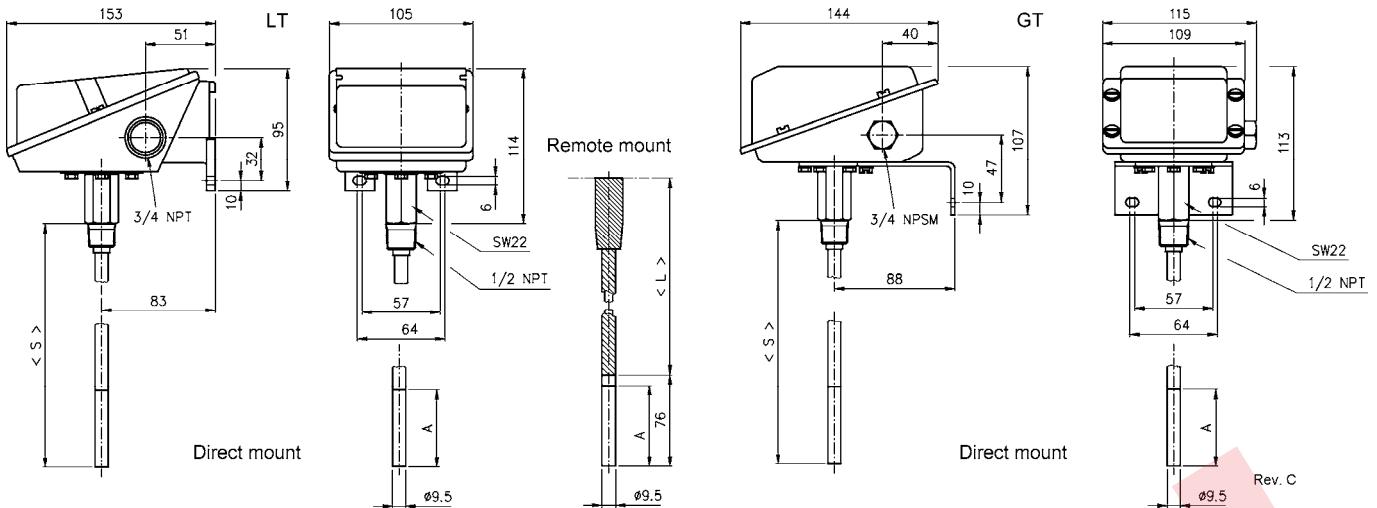
Food and beverage industry

Pulp and paper industry



Technical specification	L series			G series			
	LTA	LTD	LTS	GTA	GTD	GTS	
Type	Weatherproof						
Construction	Weatherproof						
Switch (setpoint) functions	One single setpoint	Two setpoints independently adjustable	One single setpoint	One single setpoint	Two setpoints independently adjustable	One single setpoint	
Deadband	Adjustable over 80 %	Fixed	Fixed	Adjustable over 80 %	Fixed	Fixed	
Measuring principle	Piston/cylinder system actuated by a vapor pressure thermal system, SAMA Class II system						
Range [°C]	-40/16	-20/40	20/95	65/125	110/190	175/275	260/400
[°F]	-40/60	0/100	75/205	150/260	235/375	350/525	500/750
Limits (temperature ranges) max. temperature	-40/16 °C, -20/40 °C	20/95 °C and 65/125 °C	110/190 °C	175/275 °C	260/400 °C	260/400 °C	482 °C
Stem diameter	3/8 inch (9,5 mm)						
Stem length	2 3/4" (70 mm)	4" (102 mm)	6" (152 mm)	9" (229 mm)	12" (305 mm)		
Bulb length (capillary type)	3" (76 mm)						
Capillary length	5' (1,5 m)	10' (3,0 m)	15' (4,5 m)	20' (6,0 m)	25' (7,5 m)	longer lengths on request	
Process connection	1/2 NPT male for rigid stem 1/2 NPT bushing sliding on capillary or bulb						
Connection location	Lower						
Material	Stainless steel 316 (1.4401)						
Connection	Stainless steel 316 (1.4401)						
Bushing	Stainless steel 316 (1.4401)						
Capillary and armor	Stainless steel 316 (1.4401)						
Housing	Aluminum, epoxy coated grey			Stainless steel 316 (1.4401)			
Accuracy	1,0 % F.S.						
Electrical specification							
Microswitch ratings	Up to max. 6 A 30 VDC respectively 22 A 250 VAC (see microswitch table)						
Electrical connection	3/4 NPT female, optional cable glands, 1/2 NPT with reducer bushing, M20x1,5, others on request						
General specification							
Permissible							
Ambient temperature	-25 ... 60 °C						
Storage temperature	-40 ... 60 °C						
Effect	Max. 0,4 % / 10 K ref. 20 °C						
Protection according UL	NEMA 4 and 4X						
Protection according EN 60 529/IEC 529	IP66			IP65			
CE-mark	Low voltage regulations EN 61 010-1, EN 60 947-1						
Mounting	Standard stem or wall, optional 2" pipe mounting (TM)						
Weight rigid stem/capillary [kg]	1,8/1,9 (with 1 m capillary)			1,6/1,7 (with 1 m capillary)			
Accessories, options	Thermowells screwed or flanged						

General dimensions [mm]



S = stem length (specify by customer), L = capillary length (specify by customer), A = active bulb, length 59 mm

Order information

single dual	Switch element Description	Capillary length	Execution capillary	Bulb length	Range	Engineer- ing unit	Protection	Electrical connection	Options
LTA GTA	General purpose (10 A 250 VAC, 6 A 30 VDC)	(00) Direct mounted	(=) Direct mounted	Rigid stem	-40/ 16 -20/ 40 20/ 95 65/ 125 110/ 190 175/ 275 260/ 400 ¹⁾	°C	(UL) Stand- ard (IP) IP66 (for L series) IP65 (for G series)	(=) Standard (JL) ¾ female to ½ NPT fe- male reduc- ing bushing	(NH) Tagging wired (FS) Factory adjusted setpoint (TM) 2" pipe mounting bracket
LTS LTD GTS GTD	Heavy duty AC (22 A 250 VAC)			(027) 2 ¾" (70 mm) ¹⁾ (040) 4" (102 mm) (060) 6" (152 mm) (090) 9" (229 mm) (120) 12" (305 mm)	-40/ 60 0/ 100 75/ 205 150/ 260 235/ 375 350/ 525 ²⁾ 500/ 750 ¹⁾	°F		(JM) ¾ NPT to M20x1,5 fe- male reduc- ing bushing	(2C) DPDT with sin- gle set point ad- justment (only avail- able with LTS/GTS)
(H)	Hermetically sealed (11 A 250 VAC, 5 A 28 VDC)			(030) Bulb 3" (76 mm)				(KV2) Plastic cable gland IP65, PG11 (KV3) Plastic cable gland IP65, PG13,5 (KV4) Plastic cable gland IP65, PG16 (KV52) Plastic cable gland PG13,5	(69C) Adjustable un- ion connection on capillary (69H) Adjustable un- ion connection on bulb
(C)	Sealed environment proof (15 A 250 VAC)	(05) 5' (1,5 m)	(A7) Capillary with stainless steel armor	With capillary					
(G)	General purpose ¹⁾ (15 A 250 VAC, 6 A 30 VDC)	(10) 10' (3,0 m)							
(J)	Hermetically sealed general purpose ¹⁾ (11 A 250 VAC, 5 A 28 VDC)	(15) 15' (4,5 m)							
(K)	Narrow deadband (15 A 250 VAC)	(20) 20' (6,0 m)							
(L)	Hermetically sealed gold contacts (1 A 125 VAC) (for use in intrinsically safe circuits)	(25) 25' (7,5 m)							
(M)	Low level (gold) contacts (1 A 125 VAC)								
(P)	Hermetically sealed, narrow deadband (5 A 250 VAC)								
(S)	Heavy duty DC (10 A 125 VAC, 10A 125 VDC)								
(W)	Ammonia service (5A 250 VAC, 6 A 30 VDC)								
(Y)	High temp. (max. 150 °C) (15 A 250 VAC)								
	¹⁾ VDC rating not UL listed	longer capillary on request		¹⁾ not for 175/275 °C and 350/525 °F	²⁾ not for rigid stem 2 ¾"				

How to order

Type	Switch element	Capillary length	Execution capillary	Bulb length	Range	Engineer- ing unit	Protection	Electrical connection	Option
LTD	GG	05	A7	030	20/95	C	UL	JL	NH

Ashcroft Instruments GmbH

Germany
Max-Planck-Str. 1, D-52499 Baesweiler
P.O. Box 11 20, D-52490 Baesweiler
Tel.: +49 (0) 2401 808-0, Fax: +49 (0) 2401 808-125

France
„206" ZA Le Mandinet Rue des Campanules
F-77185 Lognes
Tel.: +33 (0) 1 60 37 25 30, Fax: +33 (0) 1 60 37 25 39

Website: www.ashcrofteurope.com

e-Mail: sales@ashcrofteurope.com

United Kingdom
Unit 5 William James House
Cowley Road, Cambridge CB4 0WX
Tel.: +44 (0) 12 23 39 55 00, Fax: +44 (0) 12 23 39 55 01