

Digital Precision Indicator Model PM

with fixed mounted measuring modules for pressure or temperature
1 or 2 independent channels
Accuracy 0,025 %, 0,05 % or 0,1 % F.S.

Features

- Rigid ABS-housing
- 12 different engineering units
- RS-232 interface for data output and control of all functions
- Optional backlite display
- Optional NiCad power pack
- Many functions

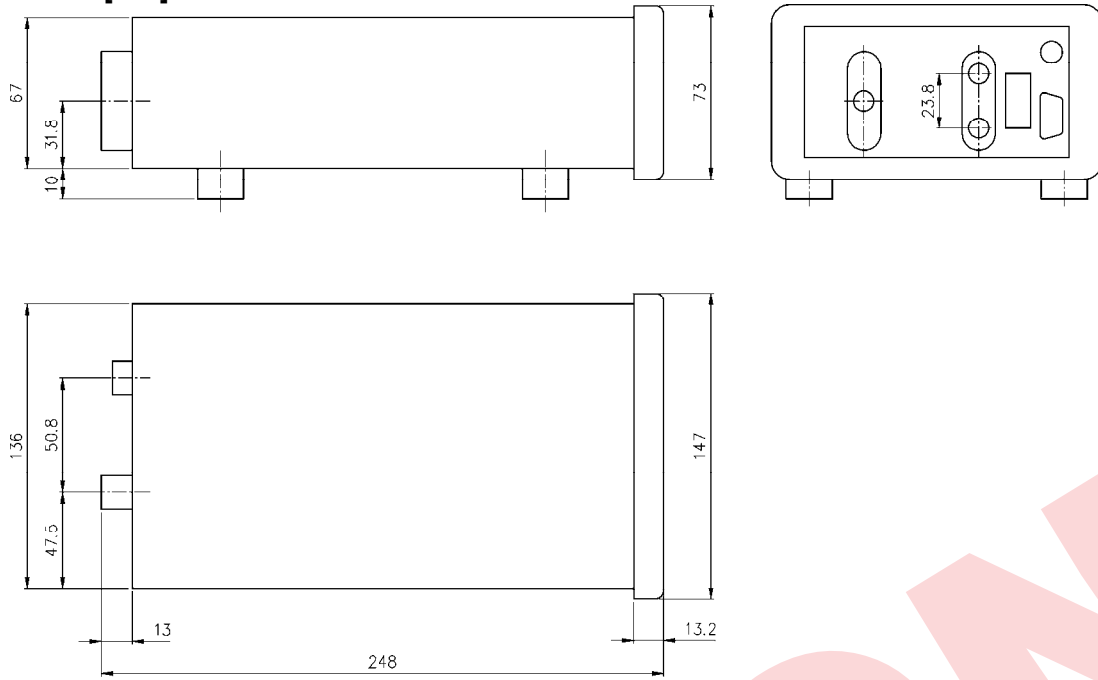
Ranges

0 ... 0,6 mbar to 0 ... 700 bar
0 ... 0,25 in. H₂O to 0 ... 10.000 psi
-250 °C to 1820 °C



Technical specification	PM
Indication LCD-Display	LCD-Display, alphanumeric, 2 lines a 16 characters, height 10 mm, optional with back light
Functions Standard	Pressure, differential pressure or temperature with one or two fixed mounted modules Tare, Engineering unit select, Damping, Min./max. value, Battery check, Zero adjustment, Display hold, RS232 interface, Differential pressure between 2 ports
Optional	Integrated calibration firmware for zero and span or calibration over up to 20 points Display back light
Ranges Pressure Temperature	For modules see data sheet G6.modules 0,6 mbar to 700 bar -200 °C ... 850 °C, 0/400 Ω (HQS-RT1) or 0/4000 Ω (HQS-RT2) -250 °C ... 1820 °C, -10 ... 100 mV (HQS-TC)
Repeatability	Ranges > 2,5 mbar ±0,01 % F.S., ≤ 2,5 mbar ±0,02 % F.S.
Resolution	±0,0016 % F.S.
Indication refresh rate	130 ms
Engineering units Pressure Temperature	mbar, bar, kPa, MPa, mmHg, cmH ₂ O, mmH ₂ O, kg/cm ² , psi, in. H ₂ O, in. Hg, ftSW, °C, °F, K, °R, Ω or mV
Damping	Floating average over 1 to 16 reading values
Output signals	RS-232, 9-Pin; 300, 1200, 2400 or 9600 Baud
Operation temperature Storage temperature	0 ... 49 °C -20 ... 70 °C
Temperature influence (module)	±0,07 % / 10 K from -7 ... 49 °C (ref. 20 °C)
Warm up time	5 minutes to rated accuracy, 30 minutes to complete stability
Material housing	ABS-plastic, black
Power supply	AC adapter 9 VDC/500 mA - 110 VAC or 230 VAC/50 Hz, optional built-in NiCad-power pack
Power pack life	25 hours (5 hours with switched on display back light), with RS232 activated a reduction of 30 % of battery life time
Protection acc EN 60529/IEC 529	IP40
Weight [kg]	Base unit approx. 1,4; Module approx. 0,3
Options	Connections accessories, for modules see data sheet G6.modules

General dimensions [mm]



Rev. B

Order information

Type	Power supply	Display	Accessories	Left module	Right module
(PM) Base unit	(1) 110 VAC, 60 Hz (2) 230 VAC, 50 Hz (3) 100 VAC, 50 Hz	(=) Standard (L) With back light	(=) None (A) Alkaline batteries (E) Non standard engineering units (H) Handle (N) NiCad batteries (P) Panel mounting brackets (R) Retrofit panel and brackets for Heise series 7	Select ranges and specification from data sheet G6.modules. Specify the complete coding.	Select ranges and specification from data sheet G6.modules. Specify the complete coding. If not specified, the unit will be supplied with only the left module mounted.

How to order PM

Type: Power supply: Display: Accessories: Left module: Right module:

Accessories

Model	Description
LTP1	Pneumatic precision test pump with fine adjustment, range from -800 mbar up to 2 bar
LPP-30	Pneumatic precision test pump with fine adjustment, range from -950 mbar up to 35 bar
HTP1	Hydraulic precision test pump with fine adjustment, range up to 700 bar
AS1	Set of adapters and hose AS-1 for HQS-1 (tubing connection)
AS2	Set of adapters and flex tubing AS-2 for HQS-2 (Minimes)
ADP	Set of adapters, 2x 1/4 NPT female, 2x 1/8 NPT male 2x 1/8" tubing, T-piece 1/8 NPT female, T-piece 1/8" tubing
ADU	Set of adapters 1/2-20 UNF /1/8 NPT female, 1/8 NPT male, 1/4 NPT female, 1/4 NPT male and 1/4" tubing connection
ELV	Vent valve (NPT)
FSL	flexible tubing, 1,5 Meter long, connection 1/2-20 UNF
RSK	RS-232 cable with 9 Pin male/female connector

How to order accessories

Model:

Ashcroft Instruments GmbH

Germany
Max-Planck-Str. 1, D-52499 Baesweiler
P.O. Box 11 20, D-52490 Baesweiler
Tel.: +49 (0) 2401 808-0, Fax: +49 (0) 2401 808-125

France
„206“ ZA Le Mandinet Rue des Campanules
F-77185 Lognes
Tel.: +33 (0) 1 60 37 25 30, Fax: +33 (0) 1 60 37 25 39

Website: www.ashcroft.eu

United Kingdom
Unit 5 William James House
Cowley Road, Cambridge CB4 0WX
Tel.: +44 (0) 12 23 39 55 00, Fax: +44 (0) 12 23 39 55 01

e-Mail: sales@ashcroft.com